



## **HANDHELD SHOWER INSTALLATION GUIDE**

LP135  
LP150

***FOR MODERN HOME CREATORS***

### **CUSTOMER SERVICES**

***keshome.com***  
***cs@keshome.com***

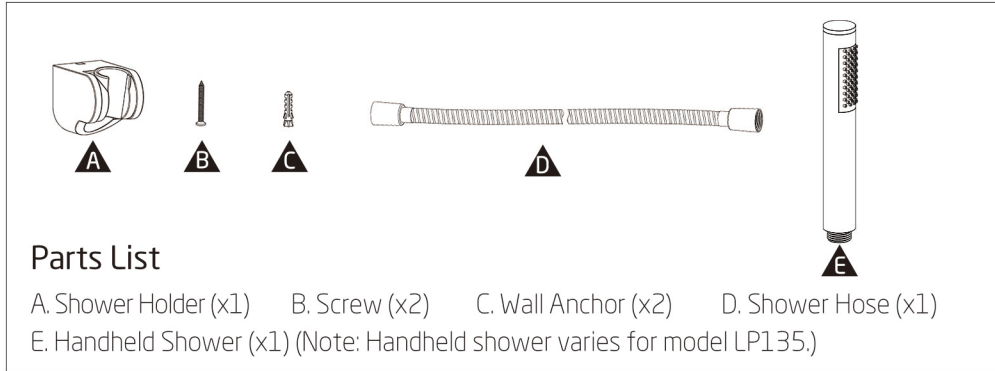


**CHAT NOW**

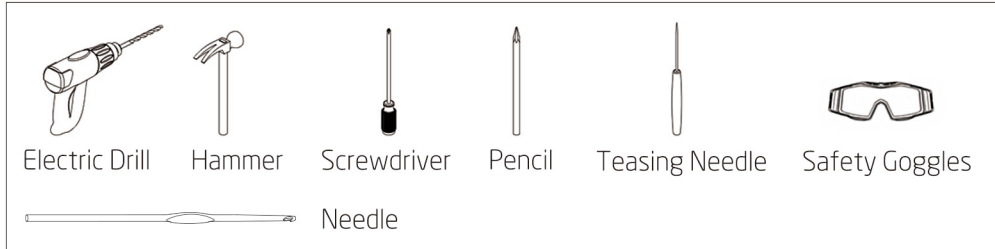
## WARNING

To reduce the risk of injury or property damage, read all instructions before installing this product. Wear safety goggles. **The product must be installed in accordance with all state & local plumbing & building codes.** Call a professional if you are uncertain about installing this product.

## PRODUCT COMPONENTS



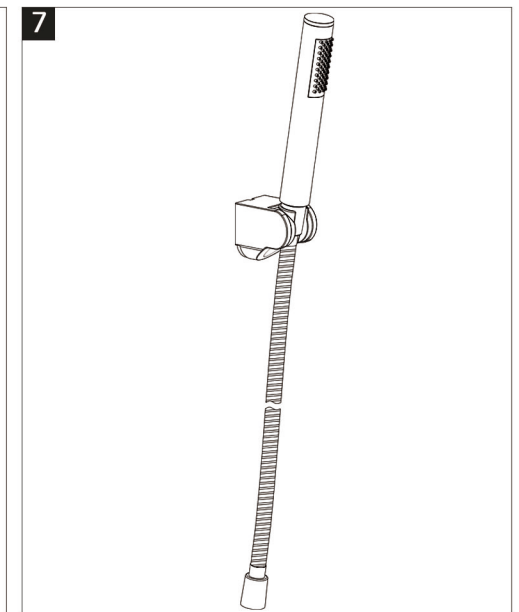
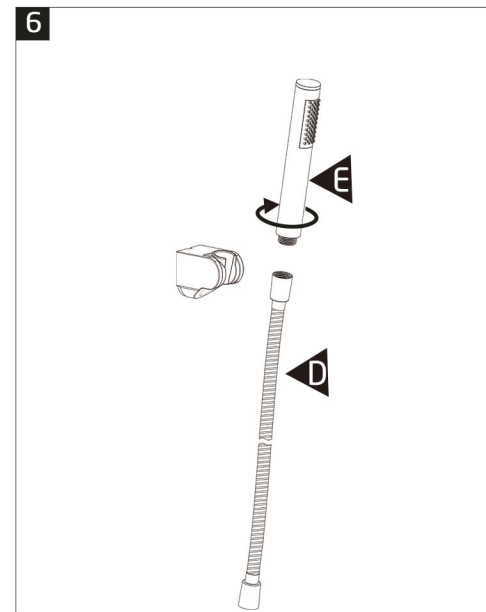
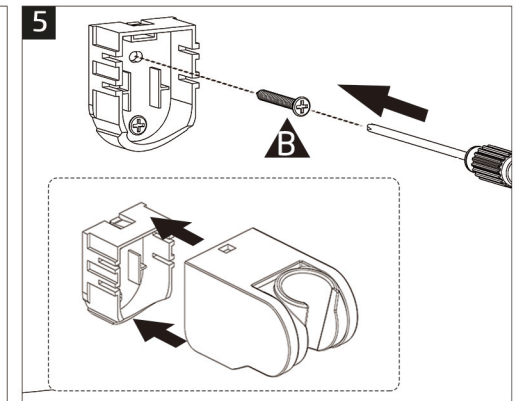
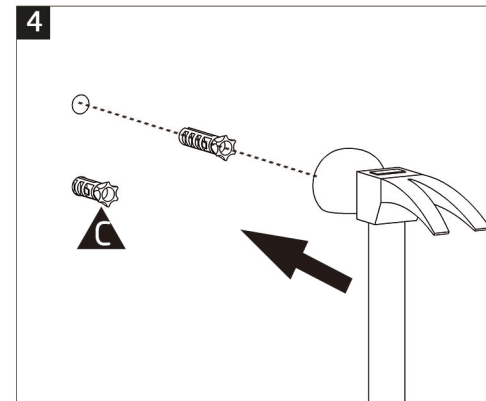
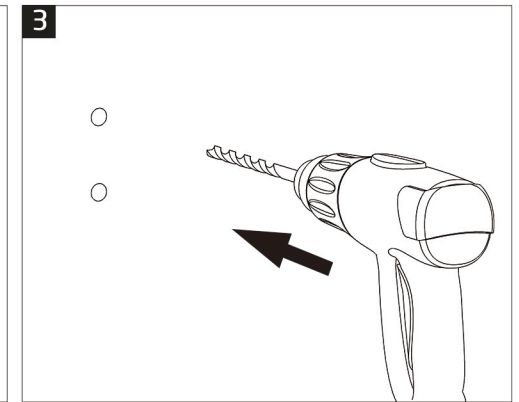
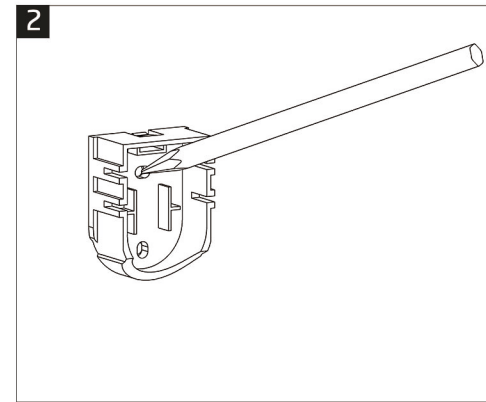
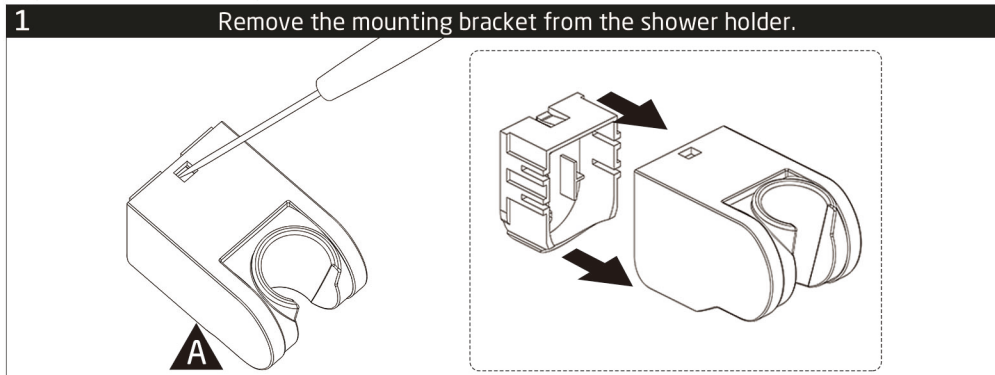
## HELPFUL TOOLS



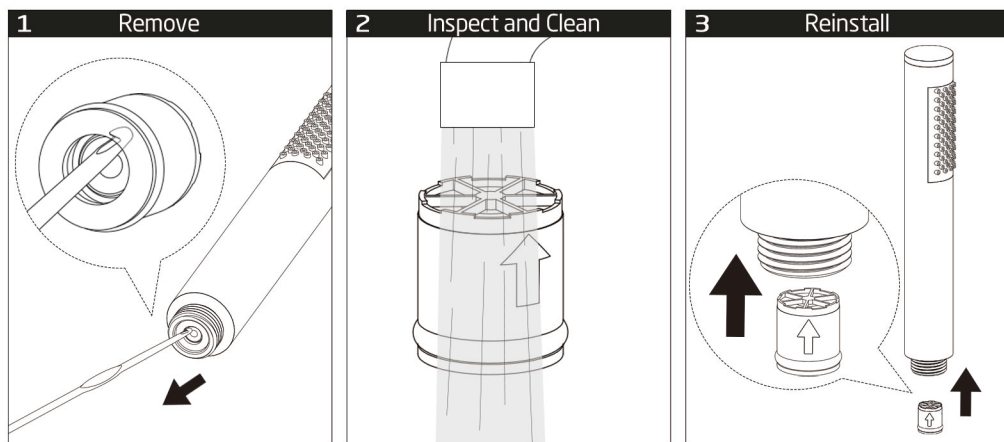
## WALL-MOUNTED INSTALLATION

Drill-bit size: 6 mm(15/64")

Notice: The following steps focuses on product models LP150, using it as an example to explain installation steps.



## LOW PRESSURE/ SLOW FLOW? CHECK AND CLEAN CHECK VALVE!



Default restrictor in North America is 1.75 gpm, compliant with California Energy Commission (CEC) regulations. Please check your local plumbing codes before removing it or replacing it with other check valves.

## ONE-YEAR LIMITED WARRANTY

KES warrants its products purchased from authorized sellers to be free from defects in material and workmanship for one (1) year from the original date of purchase.

### What We Will Do

KES will repair or replace, FREE OF CHARGE, during the one (1) year warranty period, any part that proves defective in material and/or workmanship under normal installation, use and service.

### What Is Not Covered

KES shall not be liable for any damage to the product resulting from reasonable wear and tear, installation and maintenance errors, outdoor use, freezing water, abuse, misuse, and use of cleaners containing abrasive cleansers, ammonia, bleach, acids, waxes, alcohol or other organic solvents.

KES is not responsible for removal, installation, labor charges, or other incidental or consequential costs. In no event shall the liability of KES exceed the purchase price of the product.

SELLER DISCLAIM ALL LIABILITY FOR SPECIAL, INCIDENTAL OR CONSEQUENTIAL DAMAGES.

Some jurisdictions do not allow the exclusion or limitation of incidental or consequential damages, so these limitations and exclusions may not apply to you. This warranty gives you specific legal rights and you may also have other rights which vary from jurisdiction to jurisdiction.

This warranty applies only to KES products sold in North America and Europe.

### Contact KES

Email: [cs@keshome.com](mailto:cs@keshome.com)

Online Contact:



Please provide:

- Dated proof of purchase;
- Description of the defect/fault;
- Picture or video showing the issue(s) (optional).

