



SINGLE BASE WALL MOUNT STORAGE INSTALLATION GUIDE

Models:

A2164	A22560
A2572	A2175S12
A2180	A2175S30
A2480	A2106 Series
A2470	LA20 Series
A22580	LA24 Series
A22570	LA225 Series

CUSTOMER SERVICES

cs@keshome.com



CHAT NOW

SBWMS.V1.2

After-sale Service



24- Hour Customer Support

Visit our customer support center at www.keshome.com/cs, available 24/7. Contact us via Amazon Message, instant chat, and email during business hours.



Free Replacement Parts

Please contact us if any parts are damaged or missing. Parts provided free. (Shipping fees may apply)



1-on-1 Responsive Customer Service

No need to restate your case with each contact. Our dedicated team of professionals will work on resolving your issue until it is resolved.



Parts Customization

No need to worry about unexpected challenges. Share your requirements, and we'll customize parts to meet your specific needs.



Return Policy

Feel free to return within 30 days. Please ensure all items (particularly the hardware pack) are in the box before returning.

Missing Return Window?

No Worry!
We totally understand



Contact us
Replace for FREE

HELPFUL TOOLS



Electric
Screwdriver



Electric Drill

Adjustable
Wrench



Hammer



Pencil

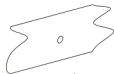


Phillips
Screwdriver

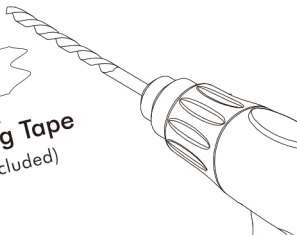


Safety
Goggles

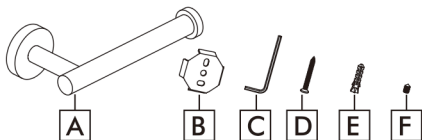
For solid surface, such as ceramic tiles
Apply masking tape to prevent drill bit slippage.



Masking Tape
(Not included)



PRODUCT COMPONENTS



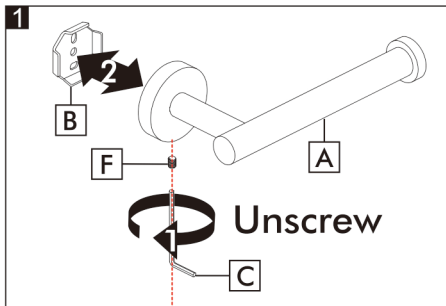
Parts List

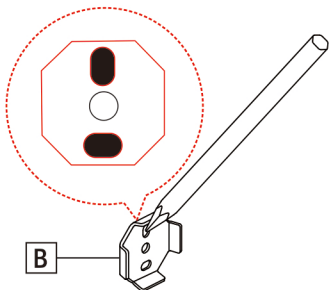
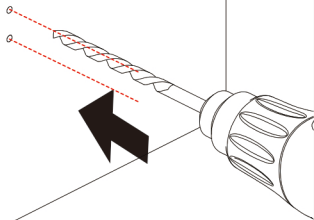
- | | |
|-----------------------------|---------------------|
| A. Toilet Paper Holder (x1) | D. Screw (x2) |
| B. Wall-Mounted Plate (x1) | E. Wall Anchor (x2) |
| C. Allen Key (x1) | F. Set Screw (x1) |

Notice: The following steps focuses on product models **A2175S12**, using it as an example to explain installation steps.

WALL-MOUNTED INSTALLATION

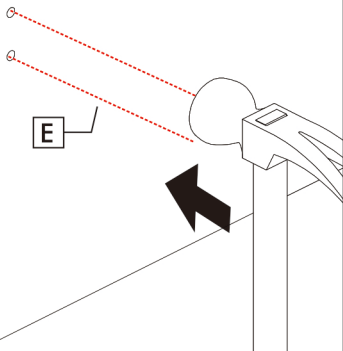
Drill-bit size: 15/64" (6mm)



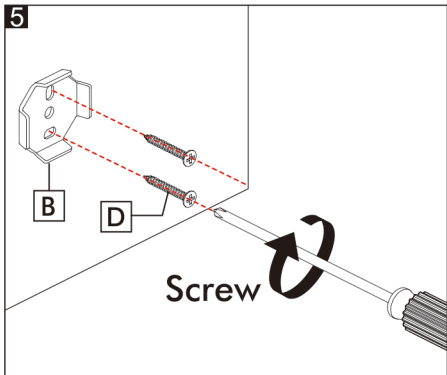
2**3**

4

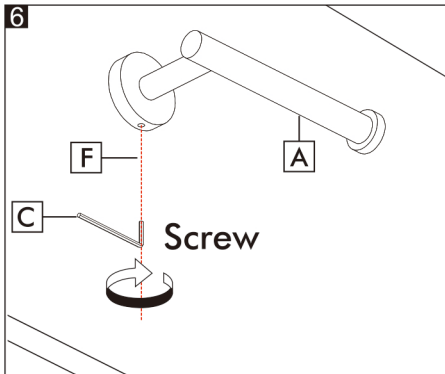
4



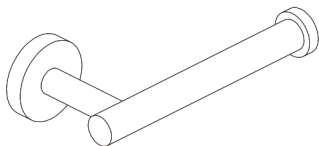
5



6



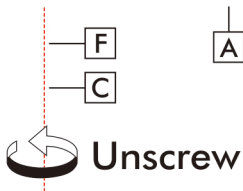
7



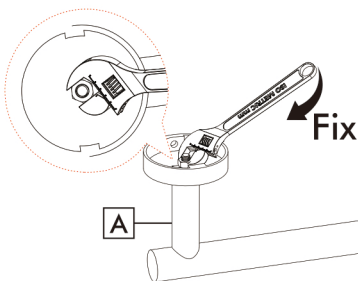
Warning: DO NOT use this product as a grab bar.

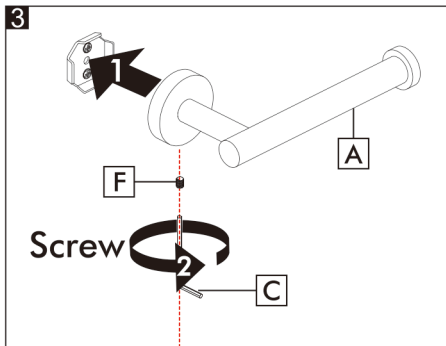
LOOSE BRACKET?

1



2





Still loose? Contact KES



chat now

Replace for FREE
cs@keshome.com

Care Instructions

For effective maintenance, use only a soft, damp cloth to clean the product. Ensure thorough drying and avoid commercial or abrasive cleaners.

Warranty Information

One-Year Limited Warranty

KES warrants its products purchased from authorized sellers to be free from defects in material and workmanship for one (1) year from the original date of purchase.

What We Will Do

KES will repair or replace, **FREE OF CHARGE**, during the one (1) year warranty period, any part that proves defective in material and/or workmanship under normal installation, use and service. If repair or replacement is not practical, KES may elect to refund the purchase price in exchange for the return of the product.

What Is Not Covered

KES shall not be liable for any damage to the product resulting from reasonable wear and tear, installation and maintenance errors, outdoor use, freezing water, abuse, misuse, and use of cleaners containing abrasive cleansers, ammonia, bleach, acids, waxes, alcohol or other organic solvents.

KES is not responsible for removal, installation, labor charges, or other incidental or consequential costs. In no event shall the liability of KES exceed the purchase price of the product.

KES AND/OR SELLER ARE PROVIDING THESE WARRANTIES IN LIEU OF ALL OTHER WARRANTIES, EXPRESSED OR IMPLIED, INCLUDING BUT NOT LIMITED TO THE IMPLIED WARRANTIES OF MERCHANTABILITY AND FITNESS FOR A PARTICULAR PURPOSE. KES AND/OR SELLER DISCLAIM ALL LIABILITY FOR SPECIAL, INCIDENTAL OR CONSEQUENTIAL DAMAGES.

Some jurisdictions do not allow the exclusion or limitation of incidental or consequential damages, so these limitations and exclusions may not apply to you. This warranty gives you specific legal rights and you may also have other rights which vary from jurisdiction to jurisdiction.

This warranty applies only to KES products sold in North America and Europe.

Contact KES

Email: cs@keshome.com

Online Contact:



Please provide:

- dated proof of purchase
- description of the defect/fault
- picture or video showing the issue(s) (optional)



FR

**Pensez à
donner ou recycler.**



Association

ou



Magasin

ou



Déchèterie

<https://quefairedemesdechets.fr>

Copyright © 2023 nzen or its affiliates. All Rights Reserved.