

One-Year Limited Warranty

KES warrants its products purchased from authorized sellers to be free from defects in material and workmanship for one (1) year from the original date of purchase.

What We Will Do

KES will repair or replace, FREE OF CHARGE, during the one (1) year warranty period, any part that proves defective in material and/or workmanship under normal installation, use and service. If repair or replacement is not practical, KES may elect to refund the purchase price in exchange for the return of the product.

What Is Not Covered

KES shall not be liable for any damage to the product resulting from reasonable wear and tear, installation and maintenance errors, outdoor use, freezing water, abuse, misuse, and use of cleaners containing abrasive cleansers, ammonia, bleach, acids, waxes, alcohol or other organic solvents.

KES is not responsible for removal, installation, labor charges, or other incidental or consequential costs. In no event shall the liability of KES exceed the purchase price of the product.

KES AND/OR SELLER ARE PROVIDING THESE WARRANTIES IN LIEU OF ALL OTHER WARRANTIES, EXPRESSED OR IMPLIED, INCLUDING BUT NOT LIMITED TO THE IMPLIED WARRANTIES OF MERCHANTABILITY AND FITNESS FOR A PARTICULAR PURPOSE. KES AND/OR

SELLER DISCLAIM ALL LIABILITY FOR SPECIAL, INCIDENTAL OR CONSEQUENTIAL DAMAGES.

Some jurisdictions do not allow the exclusion or limitation of incidental or consequential damages, so these limitations and exclusions may not apply to you. This warranty gives you specific legal rights and you may also have other rights which vary from jurisdiction to jurisdiction.

This warranty applies only to KES products sold in North America and Europe.

Contact KES

Email: cs@keshome.com

Online Contact:

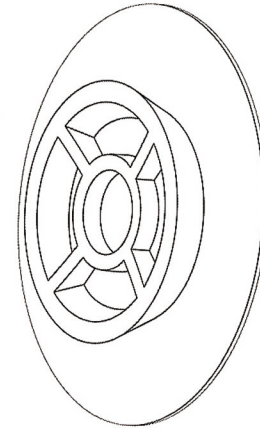


Please provide:

- Dated proof of purchase;
- Description of the defect/fault;
- Picture or video showing the issue(s) (optional).

KES

DRILL-FREE INSTALLATION GUIDE



A2000
A2175
A2180BDF
C207DF

CUSTOMER SERVICES

cs@keshome.com



CHAT NOW



PDF209.V1.1

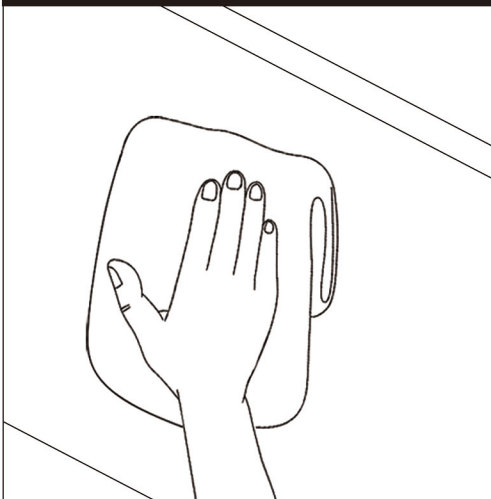
DRILL-FREE INSTALLATION

Max Load : 5kg/11lbs

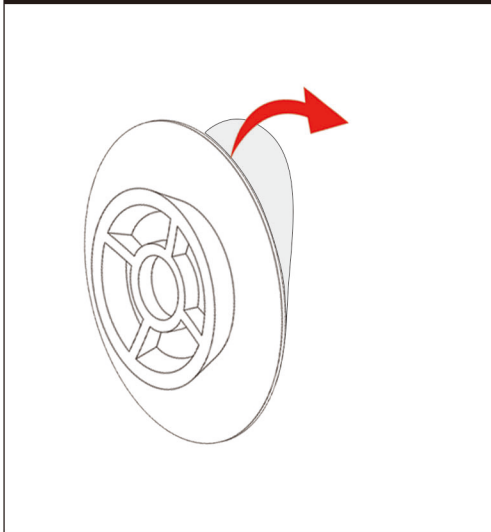
Notice : Drill-free installation is suitable for flat and smooth surfaces without dust or water , such as tile , glass and metal . DO NOT apply this product on painted wall nor wallpaper as it may cause damage to these surfaces . Please wait for 12 hours before use.

Illustrations are for installation reference only.

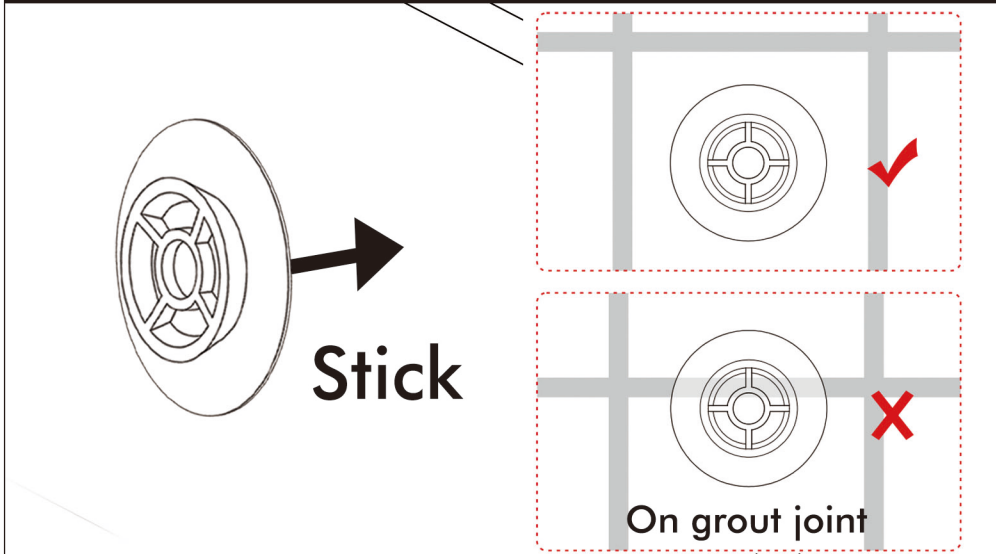
1. Clean the surface with rubbing alcohol and allow to dry. DO NOT use household cleaners. Make sure the surface has no dust, dirt or grease before applying.



2. Carefully remove the protective backing. Be careful not to touch the adhesive surface.



3. Firmly press the base of the product to the desired surface for 30 seconds.



4. Wait 12 hours before using the product.
NOTE: Indoor use only.
Temperature Range : 50°F-105°F.

