

# ***KES***

## **BATHROOM FAUCET INSTALLATION GUIDE**

L4317LF

L4318LF

CUSTOMER SERVICES

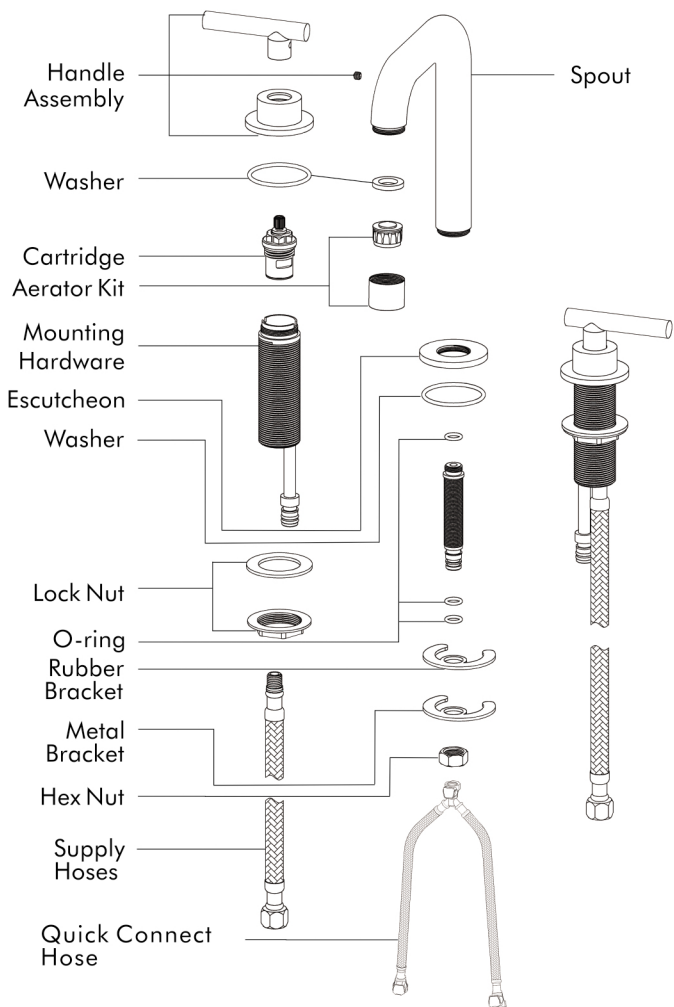
[cs@keshome.com](mailto:cs@keshome.com)



CHAT NOW

**L4317.V5.0**

# ILLUSTRATED PARTS



## WORKING CONDITIONS

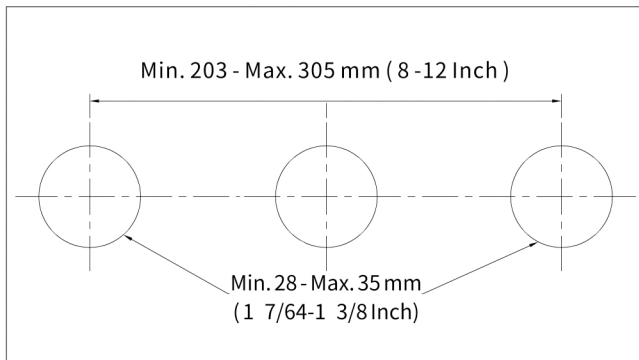
Environment Temperature: 5°C-49°C (41°F-120°F)

Inlet Water Temperature: 5°C-70°C (41°F-158°F)

Water Pressure: 0.15MPa-0.50MPa

Connection Size: 9/16-24UNEF

## RECOMMENDED INSTALLATION DISTANCE



## HELPFUL TOOLS



Adjustable Wrench



Goggles



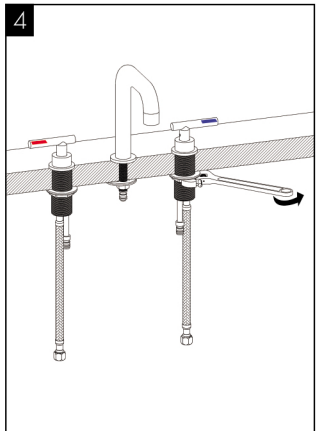
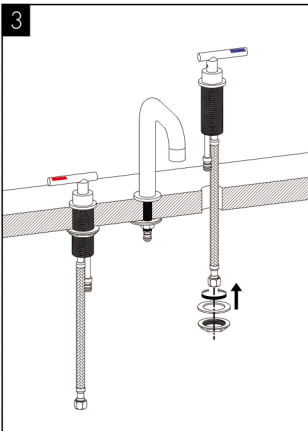
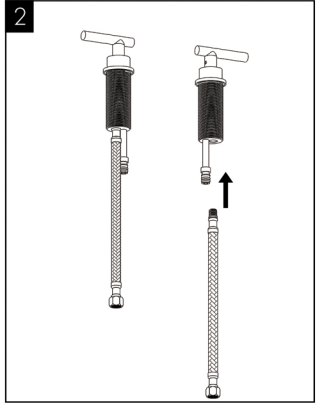
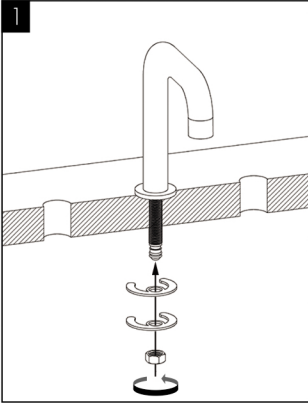
Phillips  
Screwdriver

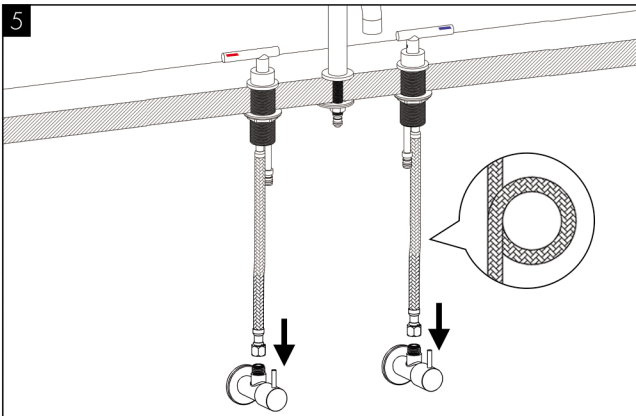
## WARNING

To reduce the risk of injury or property damage, read and follow all of the installation instructions before installing this product and wear safety goggles. This product must be installed in accordance with all state and local plumbing and building codes. Call a professional if you are uncertain about installing this product properly.

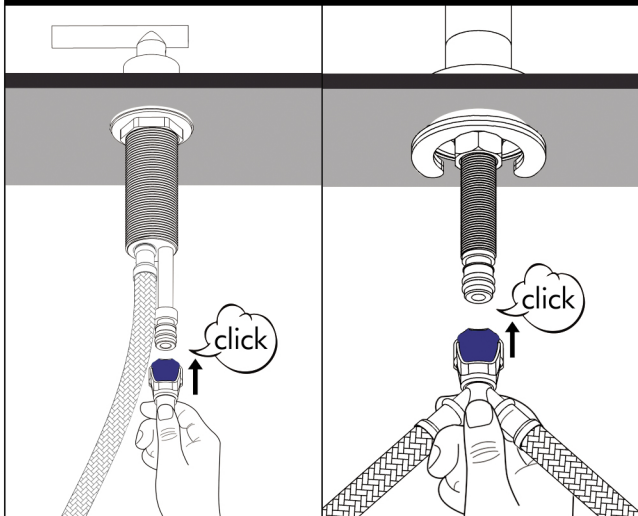
## FAUCET INSTALLATION

Before installation, you should ideally flush your plumbing pipes to clear any debris or sediment by letting the water run for a few minutes. Next, turn off your sink's water supply. If the water supply lines are too long, they should be folded like Figure 5. A kinked line may cause water damage.

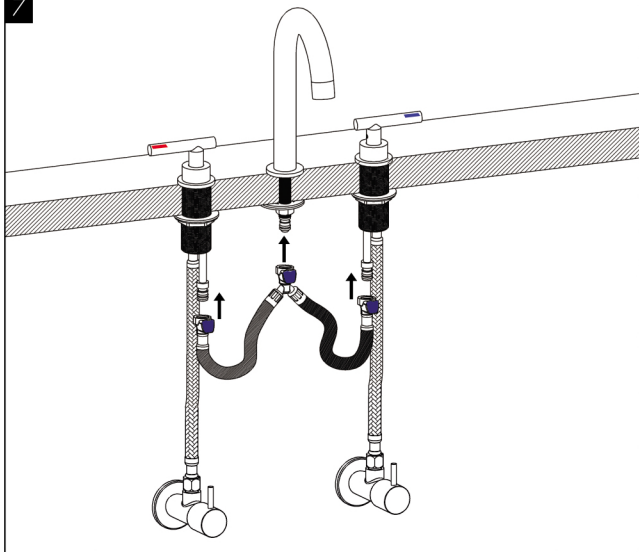




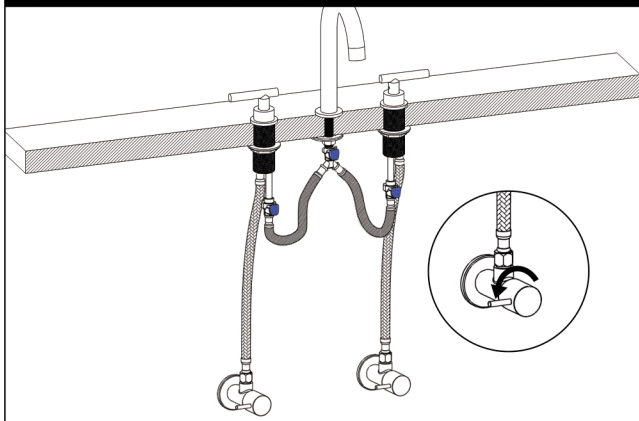
6 Push the quick connector until you hear a "click", which means it is in place.  
Notice: Do NOT press the blue button. Please contact KES if quick connectors cannot be securely fastened.



7



8 Turn on the water supplies and check all connections for leaks.

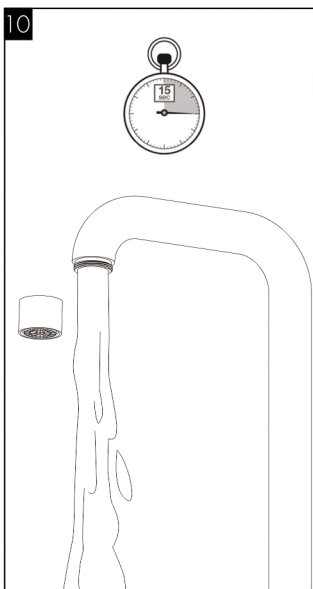
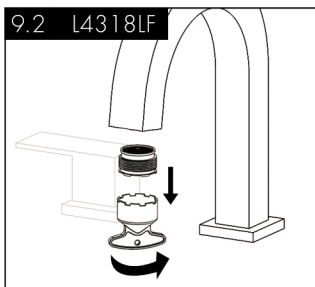
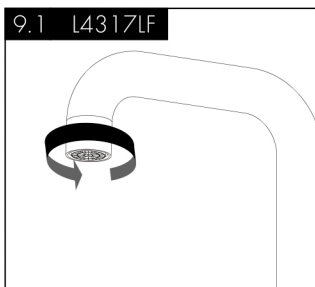


## WARNING

Be sure to check for leaks after all the installation is completed. Failure to check for leaks or improper installation may cause water leakage and seepage at the connection.

## FLUSHING

After the faucet has been installed, remove the faucet aerator, turn the water supply back on, and let water run through the faucet for at least 15 seconds to get rid of any debris that might have loosened up during the installation process. Turn the water off and then reinstall the aerator.



## **Faucet Care And Cleaning**

Attention should be given to the care, cleaning, and maintenance of this product. With proper care and cleaning, this faucet should last many years. To clean, simply wipe the faucet gently with a damp cloth and blot dry with a soft towel.

### **Warning**

Do not use cleaners containing abrasives, ammonia, bleach, acids, waxes, alcohol, solvents, or other strong chemical products to clean any part of the product surface.

Cleaning with abrasive cleaning tools such as a brush or scouring pad are also not recommended for this KES product.

## **Lifetime Limited Warranty**

### **Faucets**

KES warrants its faucets purchased from authorized sellers to be leak and drip free as long as the original consumer owns their home in which the product was first installed (the "Warranty Period" for homeowners). For all other purchasers (including purchasers for industrial, commercial and business use) are warranted for a period of 3 years from the original date of purchase (the "Warranty Period" for non-homeowners).



## **Other Products**

Products other than faucets are backed by a 1-Year Limited Manufacturer's Warranty (the "Warranty Period" for non-faucet products).

## **What We Will Do**

If a faucet should ever develop a leak or drip during the Warranty Period, KES will FREE OF CHARGE provide the parts necessary to put the faucet back in good working condition. For non-faucet products, KES will replace FREE OF CHARGE any part that proves defective in material and manufacturing workmanship during the Warranty Period. If repair or replacement is not practical, KES may elect to refund the purchase price in exchange for the return of the product.

## **What Is Not Covered**

KES shall not be liable for any damage to the product resulting from reasonable wear and tear, installation and maintenance errors, outdoor use, freezing water, abuse, misuse, and use of cleaners containing abrasive cleansers, ammonia, bleach, acids, waxes, alcohol or other organic solvents.

KES is not responsible for removal, installation, labor charges, or other incidental or consequential costs. In no event shall the liability of KES exceed the purchase price of the product.

KES AND/OR SELLER ARE PROVIDING THESE WARRANTIES IN LIEU OF ALL OTHER WARRANTIES, EXPRESSED OR IMPLIED, INCLUDING BUT NOT LIMITED TO THE IMPLIED WARRANTIES OF MERCHANTABILITY AND FITNESS FOR A PARTICULAR PURPOSE. KES AND/OR SELLER DISCLAIM ALL LIABILITY FOR SPECIAL, INCIDENTAL OR CONSEQUENTIAL DAMAGES. Some jurisdictions do not allow the exclusion or limitation of incidental or consequential damages, so these limitations and exclusions may not apply to you. This warranty gives you specific legal rights and you may also have other rights which vary from jurisdiction to jurisdiction. This warranty applies only to KES products sold in North America and Europe.

### **Contact KES**

Email: [cs@keshome.com](mailto:cs@keshome.com)

Online Contact:



Please provide:

- Dated proof of purchase
- Description of the defect/fault
- Picture or video showing the issue(s) (optional)