

KES

TOILET PAPER HOLDER INSTALLATION GUIDE

BPH500
BPH502
KPH503
BRH500

CUSTOMER SERVICES

cs@keshome.com



CHAT NOW

BPH500.V3.0

ASSEMBLY INSTRUCTION

HELPFUL TOOLS



Electric Drill



Hammer



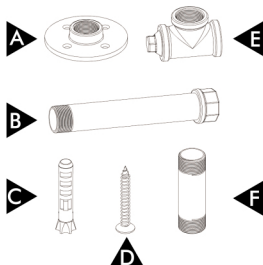
Pencil



Phillips
Screwdriver

MODEL NO. : BPH500 ASSEMBLY ▼

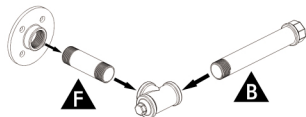
1



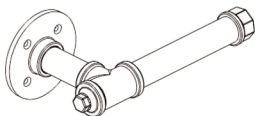
Parts List

- A. Flange (x1)
- B. Bar (x1)
- C. Wall Anchor (x4)
- D. Screw (x4)
- E. Tee Joint (x1)
- F. Rod(x1)

2 Please make sure tighten all the parts before mounting it on the wall.

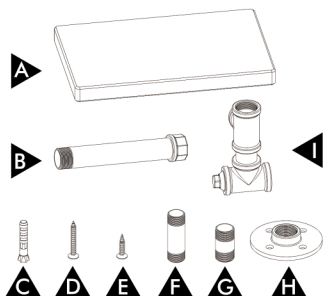


3



MODEL NO. : BPH502 ASSEMBLY ▼

1

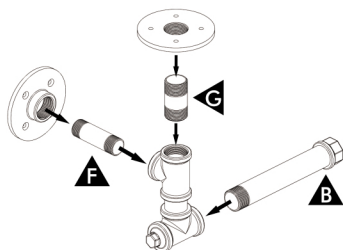


Parts List

- A. Board(x1)
- B. Bar (x1)
- C. Wall Anchor (x4)
- D. Wood Screw (x4)
- E. Screw (x4)
- F. Long Rod (x1)
- G. Short Rod (x1)
- H. Flange (x2)
- I. Tee Joint (x1)

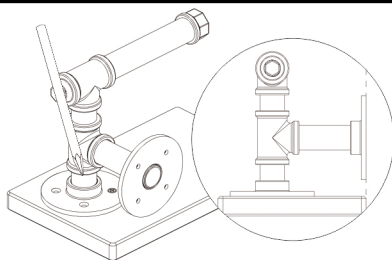
2

Please make sure tighten all the parts before mounting it on the wall or the board surface.

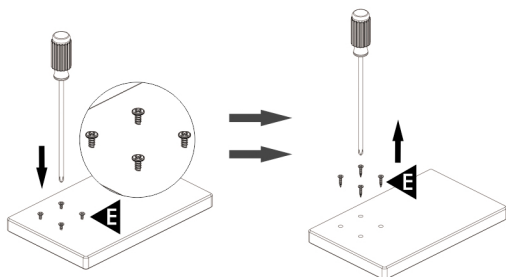


3

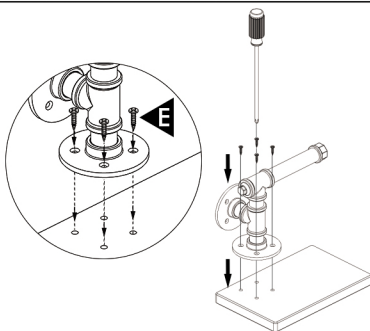
When you mark on the board, the other flange should be flush with the edge of the board.



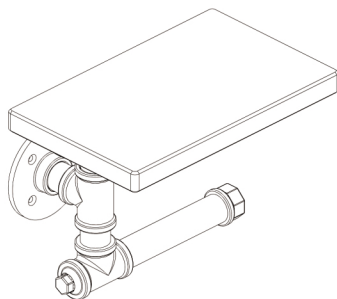
- 4 ① Please tighten the screws into the marked holes. (leave one-third of the screw for easily unscrewing.) ② Remove the screws.



5

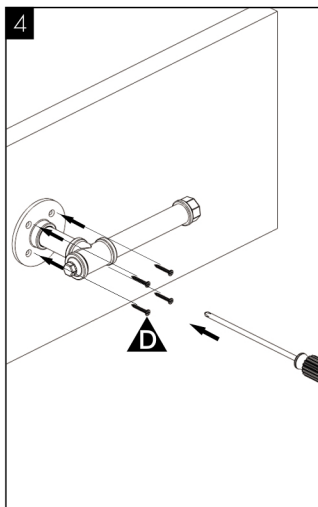
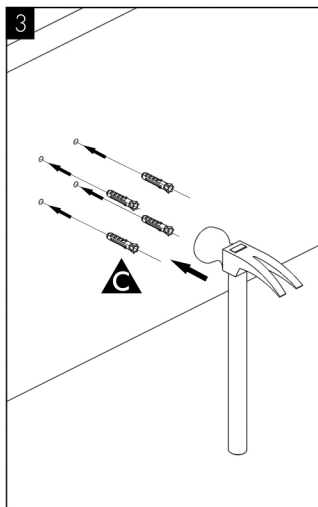
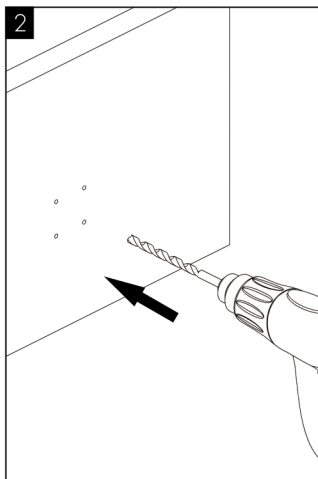
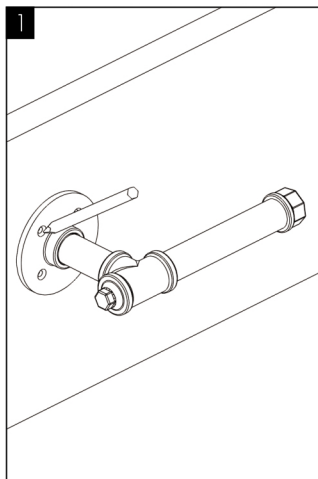


6



WALL MOUNTING INSTALLATION

BPH500 / BPH502 / KPH503 / BRH500



One-Year Limited Warranty

KES warrants its products purchased from authorized sellers to be free from defects in material and workmanship for one (1) year from the original date of purchase.

What We Will Do

KES will repair or replace, FREE OF CHARGE, during the one (1) year warranty period, any part that proves defective in material and/or workmanship under normal installation, use and service.

If repair or replacement is not practical, KES may elect to refund the purchase price in exchange for the return of the product.

What Is Not Covered

KES shall not be liable for any damage to the product resulting from reasonable wear and tear, installation and maintenance errors, outdoor use, freezing water, abuse, misuse, and use of cleaners containing abrasive cleansers, ammonia, bleach, acids, waxes, alcohol or other organic solvents.

KES is not responsible for removal, installation, labor charges, or other incidental or consequential costs. In no event shall the liability of KES exceed the purchase price of the product.

KES AND/OR SELLER ARE PROVIDING THESE WARRANTIES IN LIEU OF ALL OTHER WARRANTIES, EXPRESSED OR IMPLIED, INCLUDING BUT NOT LIMITED TO THE IMPLIED WARRANTIES OF MERCHANTABILITY AND FITNESS FOR A PARTICULAR PURPOSE. KES AND/OR SELLER DISCLAIM ALL LIABILITY FOR SPECIAL, INCIDENTAL OR CONSEQUENTIAL DAMAGES.

Some jurisdictions do not allow the exclusion or limitation of incidental or consequential damages, so these limitations and exclusions may not apply to you. This warranty gives you specific legal rights and you may also have other rights which vary from jurisdiction to jurisdiction. This warranty applies only to KES products sold in North America and Europe.

Contact KES

Email: cs@keshome.com

Online Contact:



Please provide:

- Dated proof of purchase;
- Description of the defect/fault;
- Picture or video showing the issue(s) (optional).

KES

Keep Efficient Simple



FR

**Pensez à
donner ou recycler.**



Association

ou



Magasin

ou



Déchèterie

<https://quefairedemesdechets.fr>