

One-Year Limited Warranty

KES warrants its products purchased from authorized sellers to be free from defects in material and workmanship for one (1) year from the original date of purchase.

What We Will Do

KES will repair or replace, FREE OF CHARGE, during the one (1) year warranty period, any part that proves defective in material and/or workmanship under normal installation, use and service. If repair or replacement is not practical, KES may elect to refund the purchase price in exchange for the return of the product.

What Is Not Covered

KES shall not be liable for any damage to the product resulting from reasonable wear and tear, installation and maintenance errors, outdoor use, freezing water, abuse, misuse, and use of cleaners containing abrasive cleansers, ammonia, bleach, acids, waxes, alcohol or other organic solvents.

KES is not responsible for removal, installation, labor charges, or other incidental or consequential costs. In no event shall the liability of KES exceed the purchase price of the product.

KES AND/OR SELLER ARE PROVIDING THESE WARRANTIES IN LIEU OF ALL OTHER WARRANTIES, EXPRESSED OR IMPLIED, INCLUDING BUT NOT LIMITED TO THE IMPLIED WARRANTIES OF MERCHANTABILITY AND FITNESS FOR A PARTICULAR PURPOSE. KES AND/OR

SELLER DISCLAIM ALL LIABILITY FOR SPECIAL, INCIDENTAL OR CONSEQUENTIAL DAMAGES.

Some jurisdictions do not allow the exclusion or limitation of incidental or consequential damages, so these limitations and exclusions may not apply to you. This warranty gives you specific legal rights and you may also have other rights which vary from jurisdiction to jurisdiction.

This warranty applies only to KES products sold in North America and Europe.

Contact KES

Email: cs@keshome.com

Online Contact:



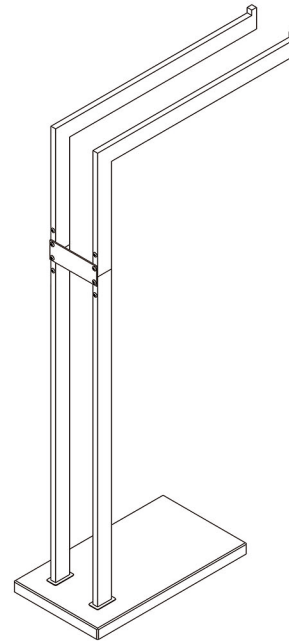
Please provide:

- Dated proof of purchase;
- Description of the defect/fault;
- Picture or video showing the issue(s) (optional).

KES

FREE STANDING TOWEL RACK INSTALLATION GUIDE

BTH227



WARNING

To reduce the risk of injury or property damage, read and follow all the installation instructions before installing this product.

CUSTOMER SERVICES

cs@keshome.com



CHAT NOW



FR

Pensez à donner ou recycler.



Association



Magasin



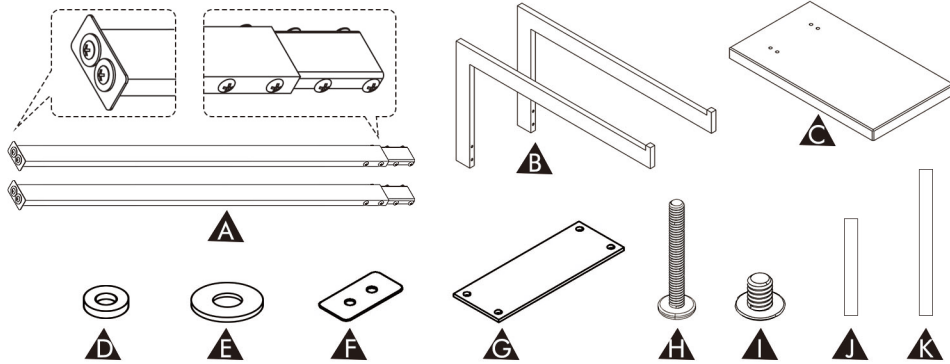
Déchèterie

<https://quefairedemesdechets.fr>

BTH227.V1.0

PRODUCT COMPONENTS

HELPFUL TOOL

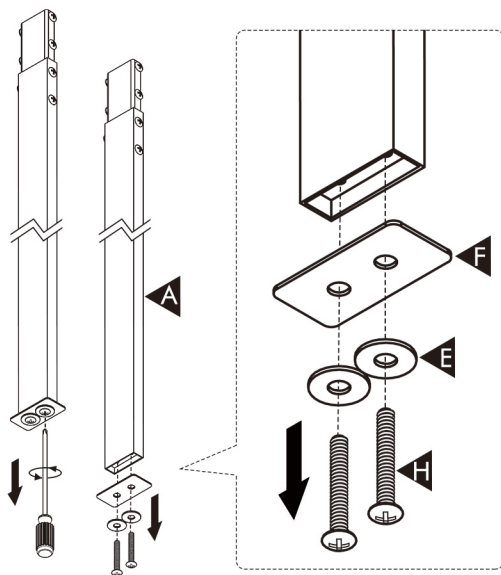


Parts List:

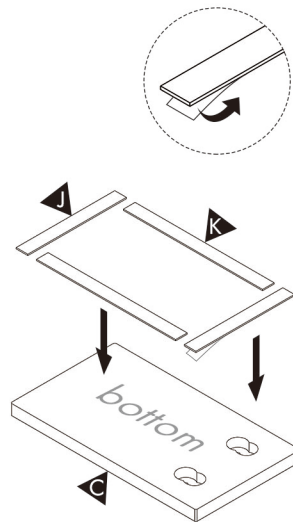
- | | | |
|------------------------|---|-----------------------------|
| A. Long Rod (x2) | E. Metal Washer (pre-installed on A) (x4) | I. M4x12 Short Screw (x10) |
| B. 7-shaped Rod (x2) | F. Square Spacer (pre-installed on A) (x2) | J. Short Anti-slip Pad (x2) |
| C. Marble Base (x1) | G. Connecting Piece (x1) | K. Long Anti-slip Pad (x2) |
| D. Rubber Washert (x8) | H. M5x28 Long Screw (pre-installed on A) (x4) | |

NOTE: DO NOT fully tighten the screws until all parts have been installed.

1 Remove F, E, and H from long rods (A).

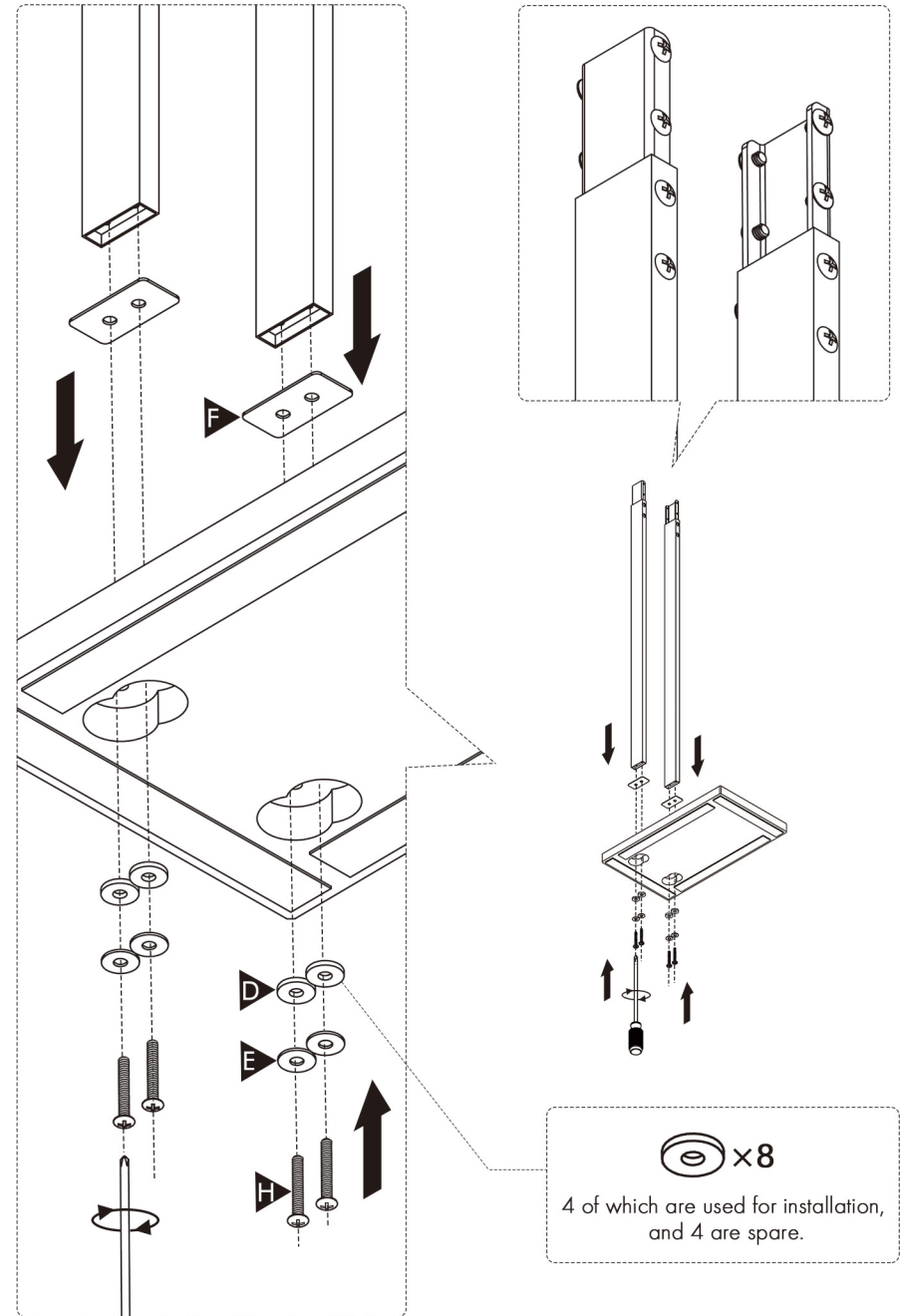


2 Adhere the anti-slip pads to the marble base bottom.



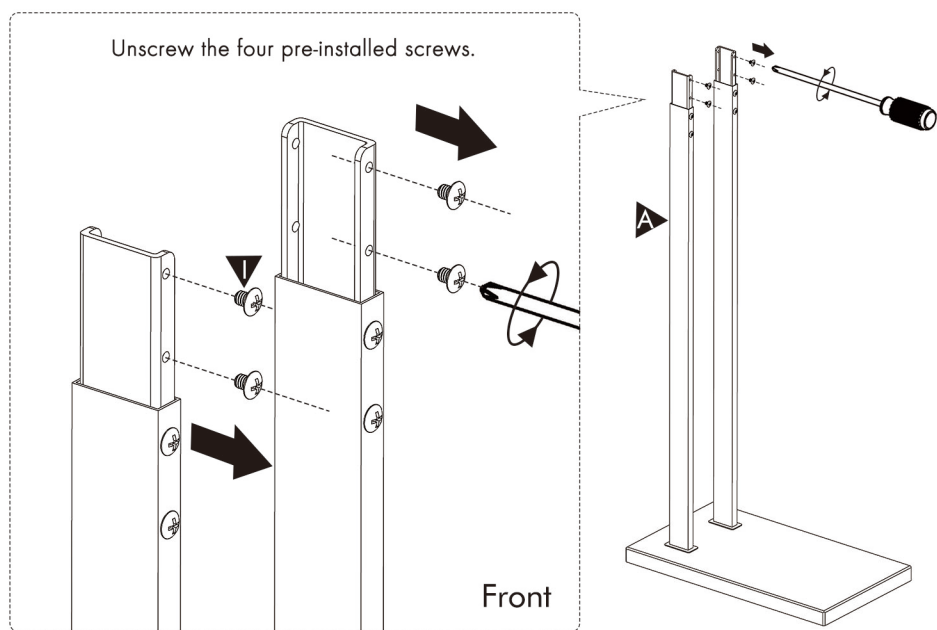
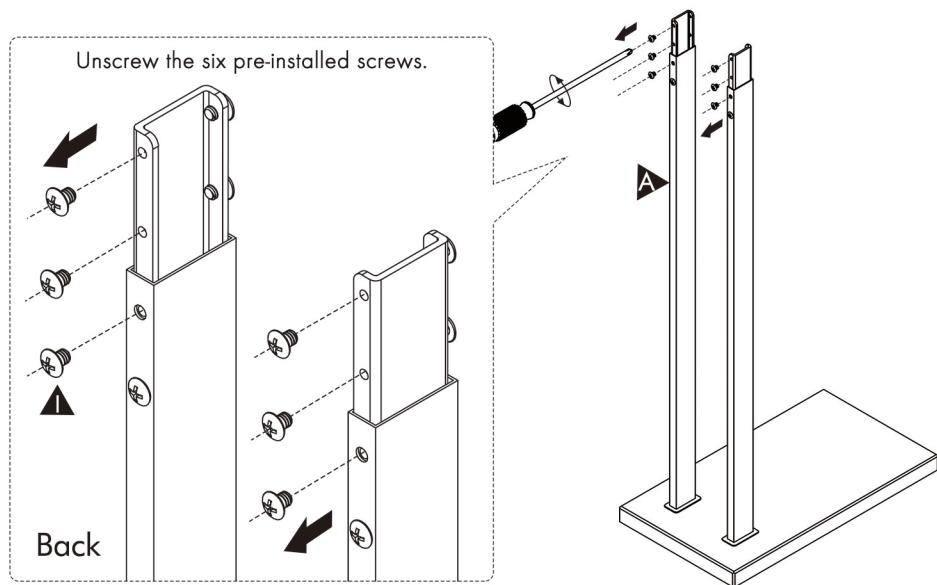
3

Fix long rods to the marble base with F, D, E, and H.



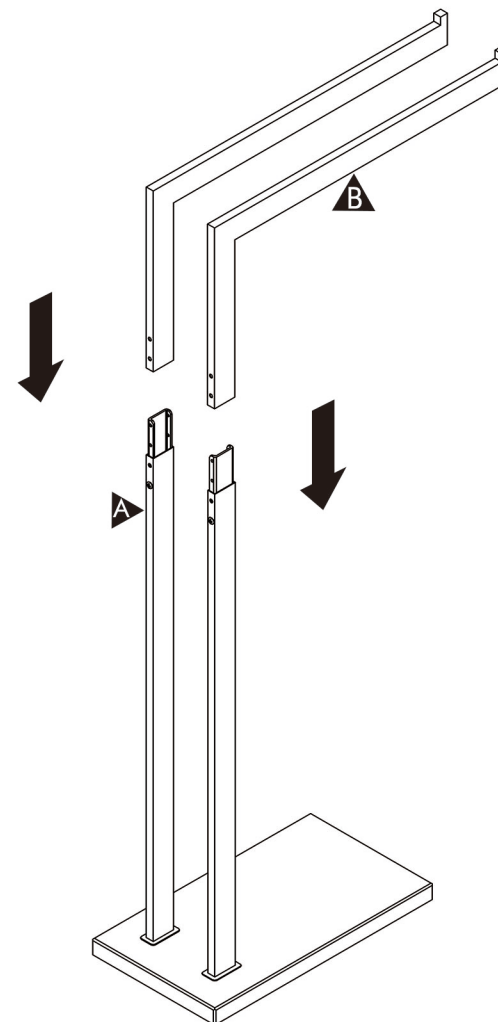
4

Remove the specified pre-installed screws as indicated in the picture.



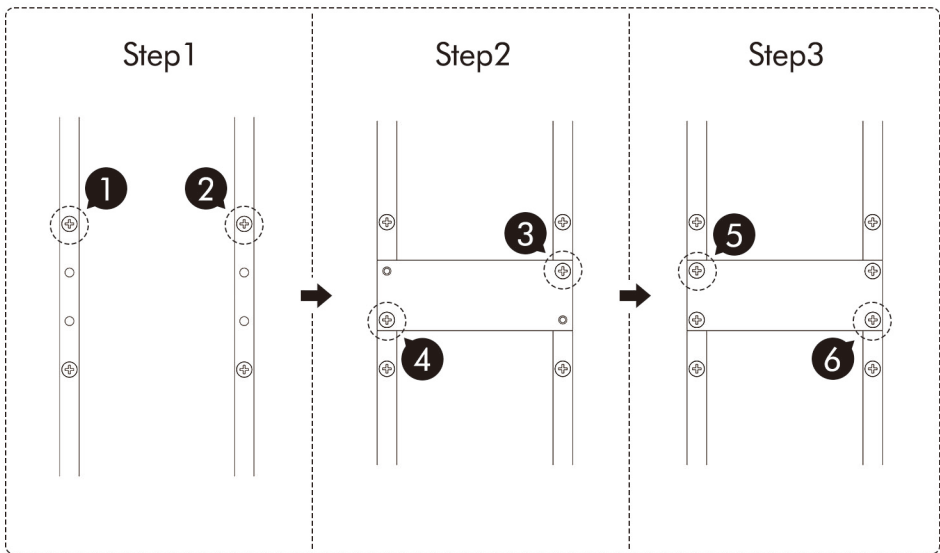
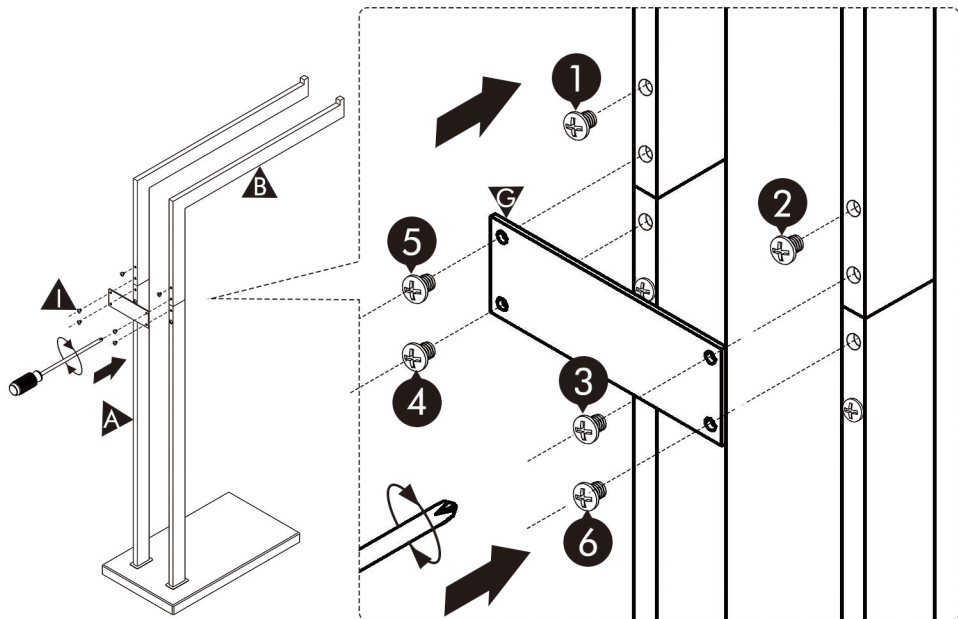
5

Attach the Z-shaped bars to the long rods.



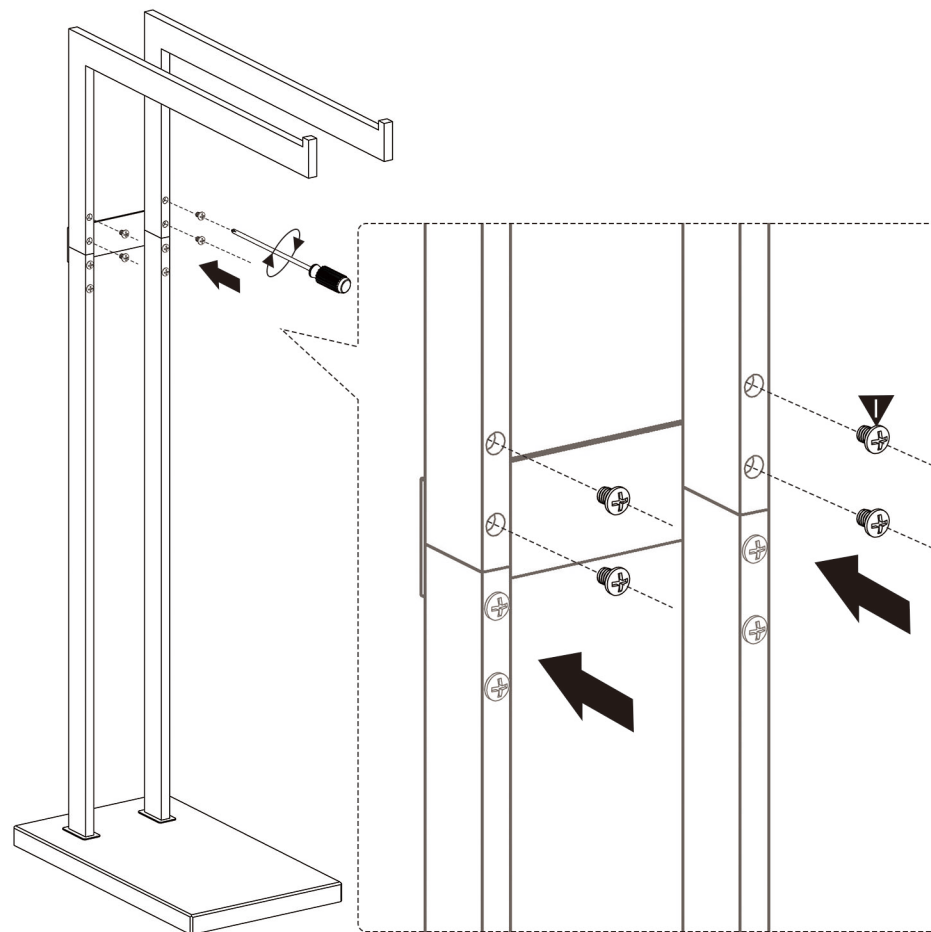
6

Fix the connecting piece. Install the screws in sequence according to the number.



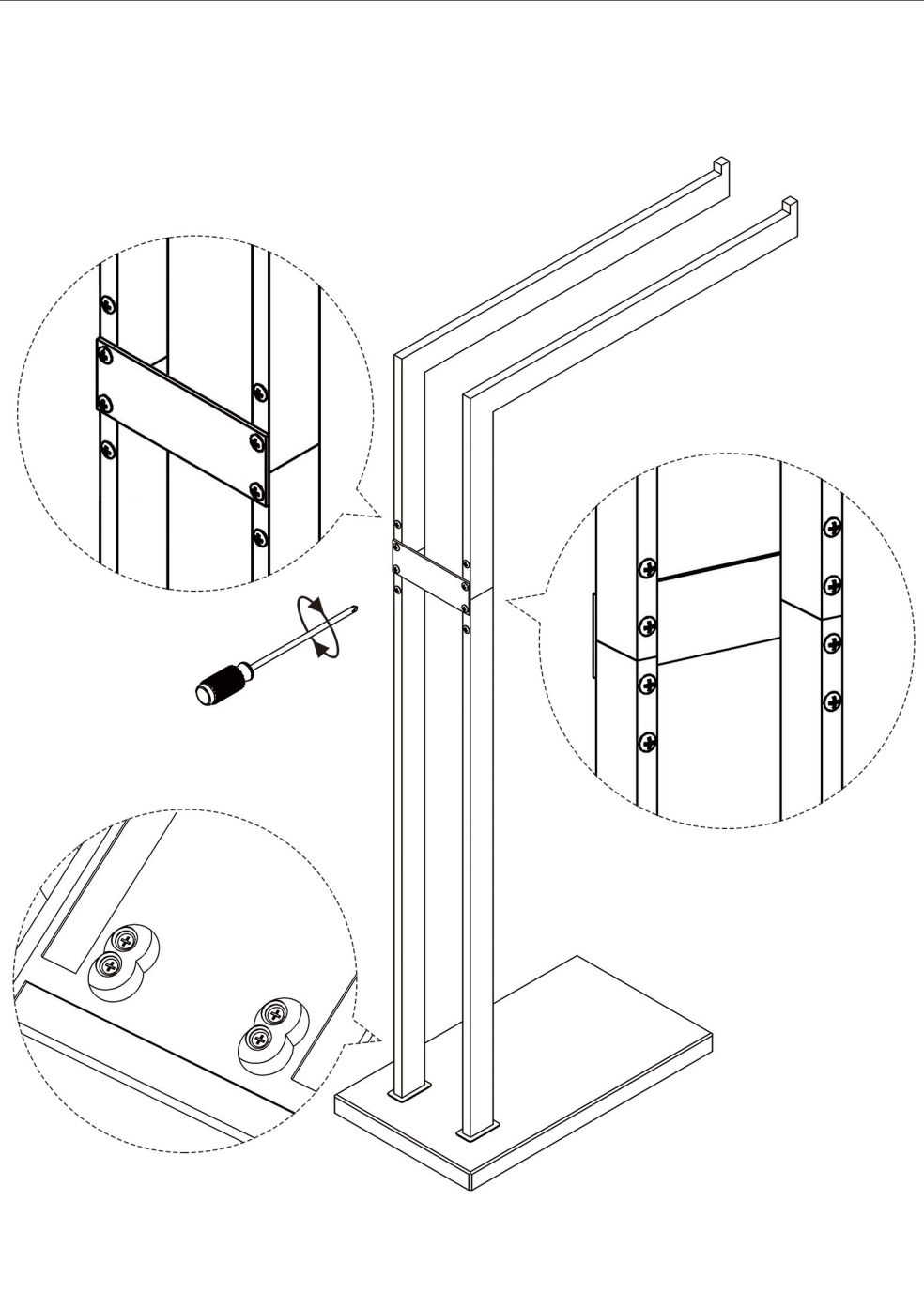
7

Install the remaining screws.



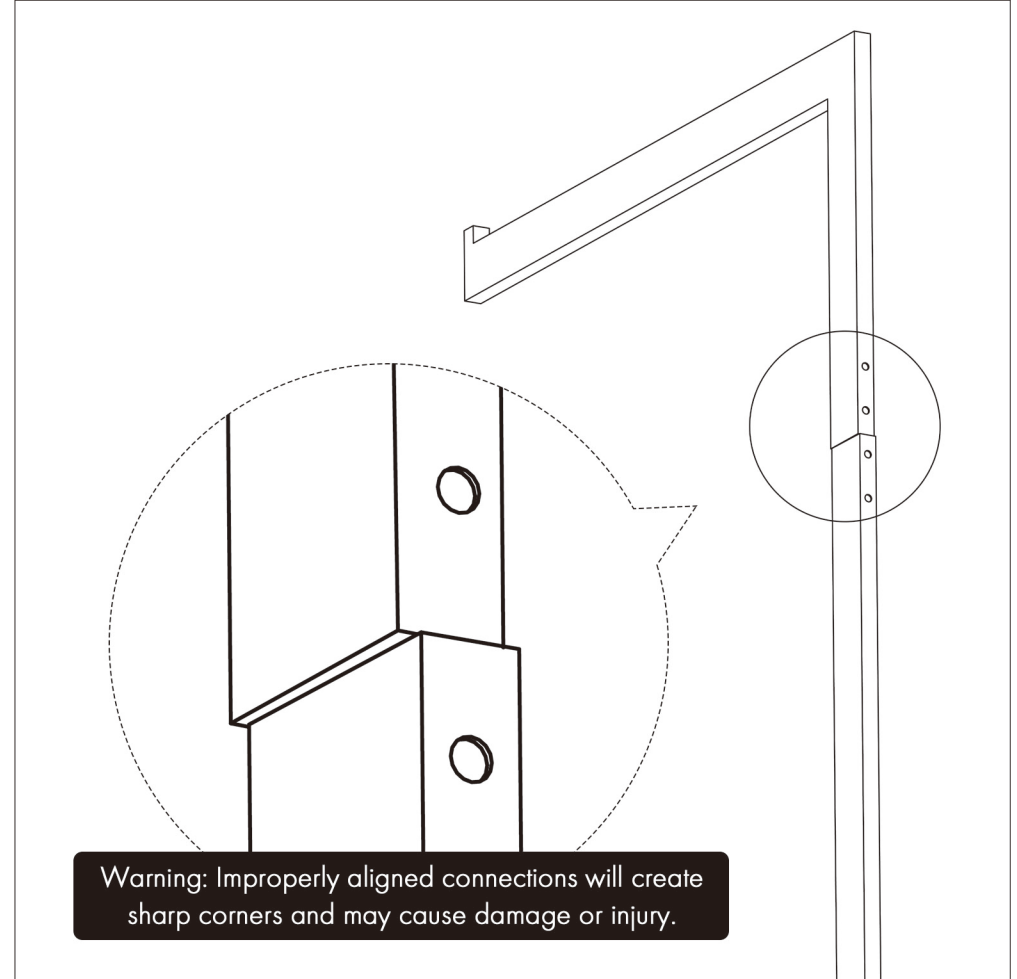
8

Check that all screws are securely tightened.



9

Reinstall screws if connections are misaligned.



KES

Keep Efficient Simple