

## One-Year Limited Warranty

KES warrants its products purchased from authorized sellers to be free from defects in material and workmanship for one (1) year from the original date of purchase.

## What We Will Do

KES will repair or replace, FREE OF CHARGE, during the one (1) year warranty period, any part that proves defective in material and/or workmanship under normal installation, use and service. If repair or replacement is not practical, KES may elect to refund the purchase price in exchange for the return of the product.

## What Is Not Covered

KES shall not be liable for any damage to the product resulting from reasonable wear and tear, installation and maintenance errors, outdoor use, freezing water, abuse, misuse, and use of cleaners containing abrasive cleansers, ammonia, bleach, acids, waxes, alcohol or other organic solvents.

KES is not responsible for removal, installation, labor charges, or other incidental or consequential costs. In no event shall the liability of KES exceed the purchase price of the product.

KES AND/OR SELLER ARE PROVIDING THESE WARRANTIES IN LIEU OF ALL OTHER WARRANTIES, EXPRESSED OR IMPLIED, INCLUDING BUT NOT LIMITED TO THE IMPLIED WARRANTIES OF MERCHANTABILITY AND FITNESS FOR A PARTICULAR PURPOSE. KES AND/OR

SELLER DISCLAIM ALL LIABILITY FOR SPECIAL, INCIDENTAL OR CONSEQUENTIAL DAMAGES.

Some jurisdictions do not allow the exclusion or limitation of incidental or consequential damages, so these limitations and exclusions may not apply to you. This warranty gives you specific legal rights and you may also have other rights which vary from jurisdiction to jurisdiction.

This warranty applies only to KES products sold in North America and Europe.

## Contact KES

Email: [cs@keshome.com](mailto:cs@keshome.com)

Online Contact:



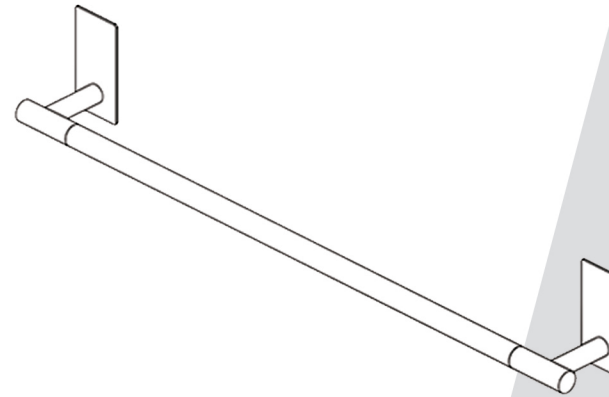
Please provide:

- Dated proof of purchase;
- Description of the defect/fault;
- Picture or video showing the issue(s) (optional).

# KES

## SELF-ADHESIVE PRODUCT INSTALLATION GUIDE

BTH7300



## WARNING

To reduce the risk of injury or property damage, read and follow all the installation instructions before installing this product.

CUSTOMER SERVICES

[cs@keshome.com](mailto:cs@keshome.com)

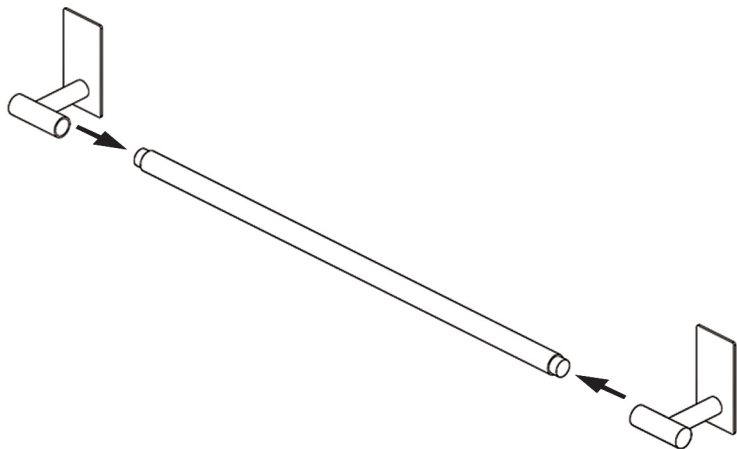


CHAT NOW



BTH7300.V3.0

## SELF-ADHESIVE PRODUCT INSTALLATION GUIDE



### DRILL-FREE INSTALLATION

Max.load:5kg/11 lbs

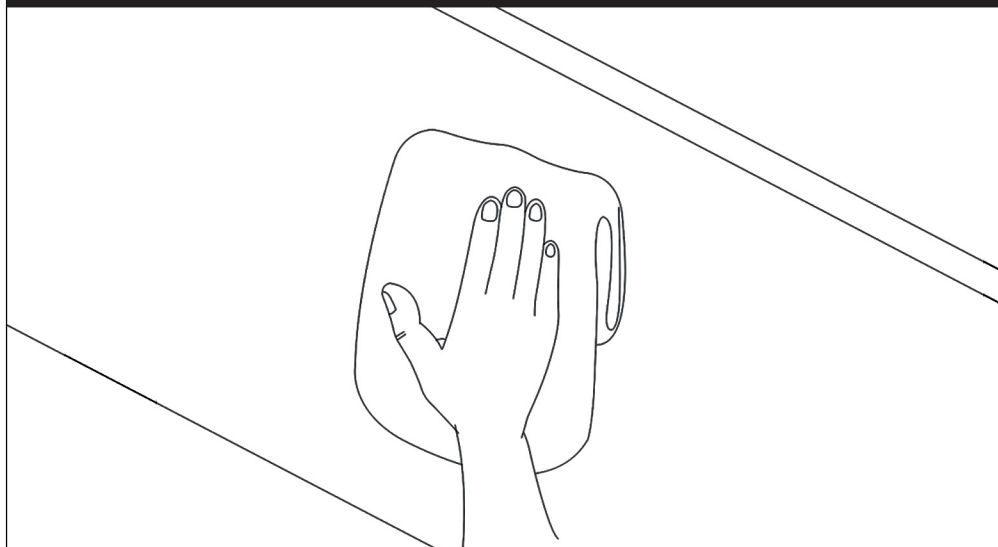
Note:

Apply and use 10°C-37°C (50°F-99°F).

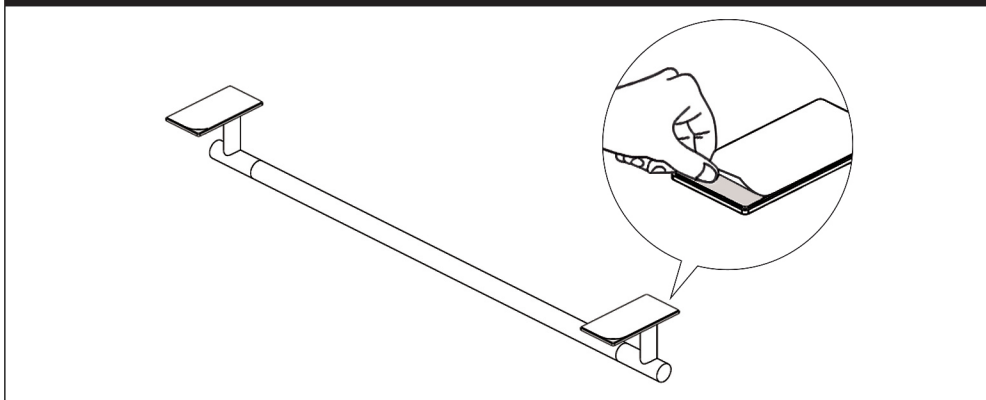
Choose a flat, smooth surface, not over the grout line, such as tile, glass, and metal.

DO NOT apply to painted walls or wallpaper.

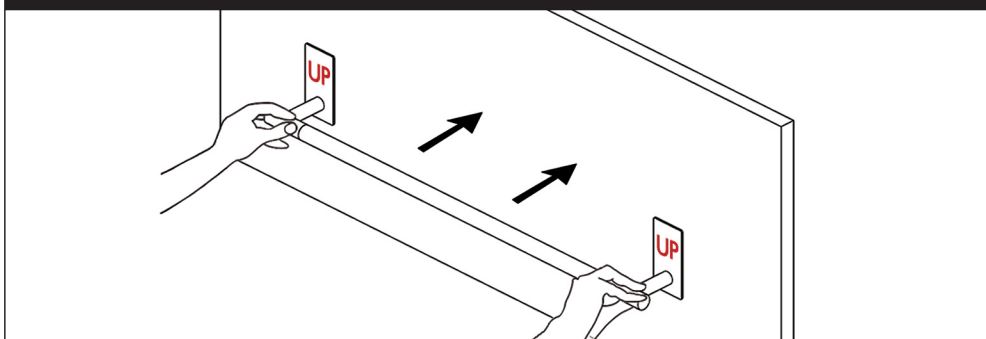
- 1 Clean surface with rubbing alcohol and allow it to dry. DO NOT use household cleaners.



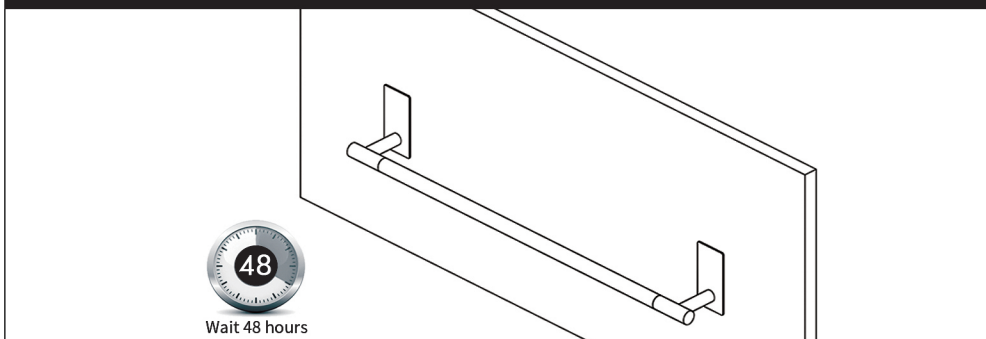
- 2 Carefully remove the protective backing. Be careful not to touch the adhesive.



- 3 Press firmly to the wall for 30 seconds.



- 4 Wait 48 hours before use.



### TO REMOVE

#### STEP 1

Heat the base plate with a hairdryer to soften the adhesive.

#### STEP 2

Use dental floss to gently cut through the foam to remove the base from the surface.

#### STEP 3

Scratch or peel off any remaining adhesive.