

KES

CEILING POT RACK INSTALLATION GUIDE

KUR219

CUSTOMER SERVICES

cs@keshome.com



CHAT NOW

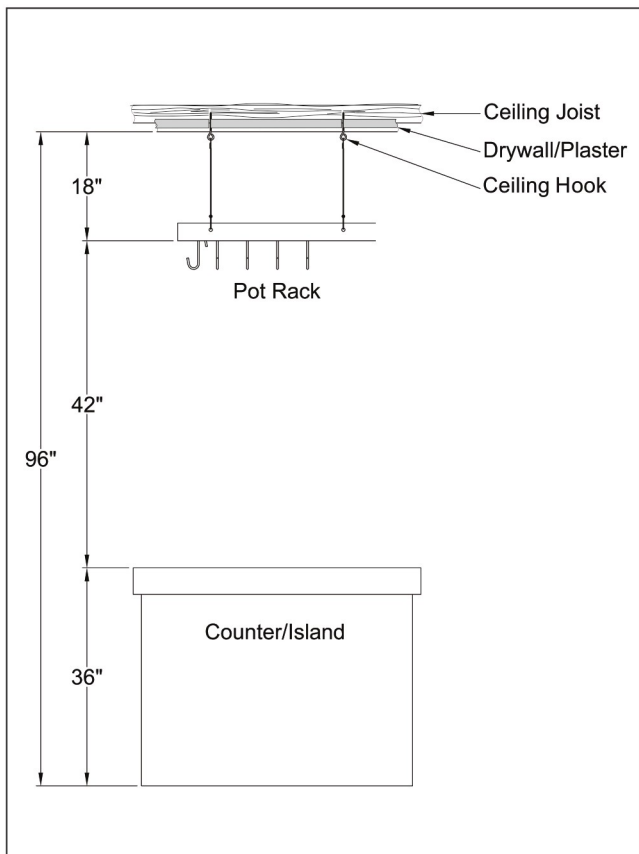
KUR219.V2.0

STANDARD POT RACK HANGING HEIGHTS

8' ceilings: Hang the pot rack 18" from the ceiling

9' ceilings: Hang the pot rack 30" from the ceiling

Note: These are just suggested hanging heights.

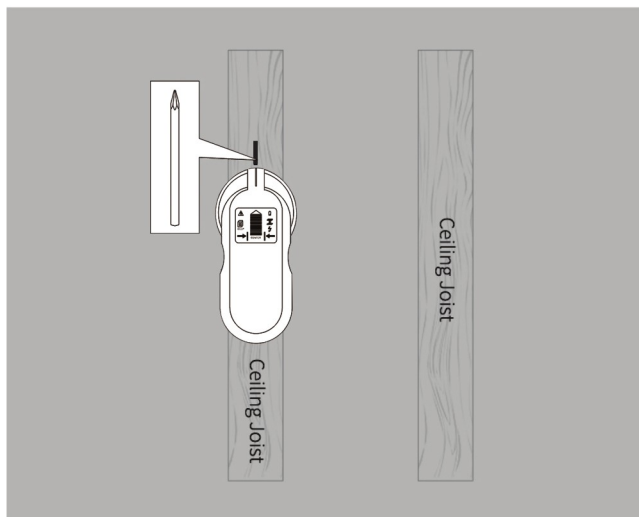


HOW TO FIND YOUR CEILING JOISTS

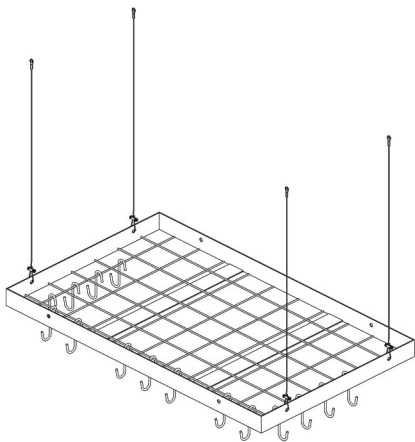
This pot rack is made of iron so it must be hung from a ceiling joist or a wooden beam. Locate your joists one of two ways:

1. Use a stud finder or look for nails or nail heads in the drywall. A stud finder is very simple to use. You simply slide it across the ceiling and wait for a beep or flash to indicate where the solid frame is.
2. If you don't have a stud finder, you can check for joists every 16" to 24", look for nails or nail heads and then tap the surrounding area to find the solid frame.

(Locate your joists before installation. If unsure, consult a qualified technician.)



CEILING POT RACK INSTALLATION GUIDE

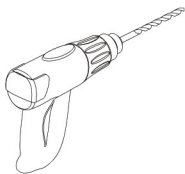


SCREW MOUNT INSTALLATION

Drill bit size: 1/16"

1

HELPFUL TOOLS



Electric Drill



Phillips
Screwdriver

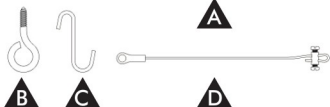
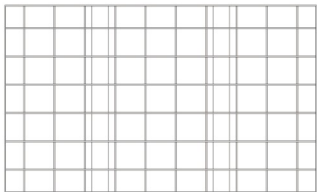


Pencil



Stud finder

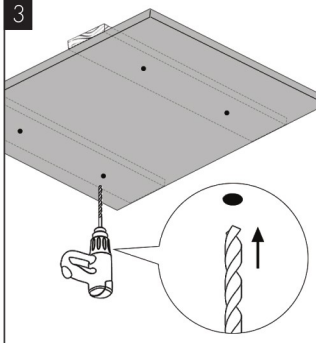
2



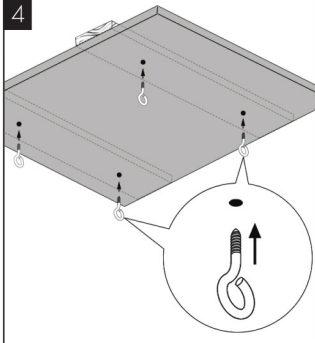
Parts List

- A. Grid Shelf (x1)
- B. Ceiling Hooks (x4)
- C. S-hook (x10)
- D. Adjustable Steel Wire Ropes (x4)

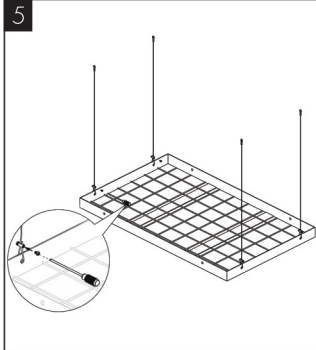
3



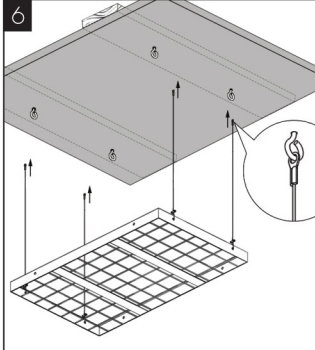
4



5



6



ONE-YEAR LIMITED WARRANTY

KES warrants its products purchased from authorized sellers to be free from defects in material and workmanship for one (1) year from the original date of purchase.

WHAT WE WILL DO

KES will repair or replace, FREE OF CHARGE, during the one (1) year warranty period, any part that proves defective in material and/or workmanship under normal installation, use and service.

If repair or replacement is not practical, KES may elect to refund the purchase price in exchange for the return of the product.

WHAT IS NOT COVERED

KES shall not be liable for any damage to the product resulting from reasonable wear and tear, installation and maintenance errors, outdoor use, freezing water, abuse, misuse, and use of cleaners containing abrasive cleansers, ammonia, bleach, acids, waxes, alcohol or other organic solvents.

KES is not responsible for removal, installation, labor charges, or other incidental or consequential costs. In no event shall the liability of KES exceed the purchase price of the product.

KES AND/OR SELLER ARE PROVIDING THESE WARRANTIES IN LIEU OF ALL OTHER WARRANTIES, EXPRESSED OR IMPLIED, INCLUDING BUT NOT LIMITED TO THE IMPLIED WARRANTIES OF MERCHANTABILITY AND FITNESS FOR A PARTICULAR PURPOSE. KES AND/OR SELLER DISCLAIM ALL LIABILITY FOR SPECIAL, INCIDENTAL OR CONSEQUENTIAL DAMAGES.

Some jurisdictions do not allow the exclusion or limitation of incidental or consequential damages, so these limitations and exclusions may not apply to you. This warranty gives you specific legal rights and you may also have other rights which vary from jurisdiction to jurisdiction.

This warranty applies only to KES products sold in North America and Europe.

CONTACT KES

Email: cs@keshome.com

Online Contact:



Please provide:

- Dated proof of purchase;
- Description of the defect/fault;
- Picture or video showing the issue(s) (optional).



FR

**Pensez à
donner ou recycler.**



Association

OU



Magasin

OU



Déchèterie

<https://quefairedemesdechets.fr>