

## Warning

The generic hardware provided is for concrete wall application. You may need other hardware and installation procedures. Please consult with your local hardware store if you have any questions or concerns about the construction of your walls. Slight dimension variations can exist, please make sure to measure twice before drilling.

The product must be assembled and installed CORRECTLY. It could possibly cause injury, become unstable and collapse if product is assembled, installed or used incorrectly.

## One-Year Limited Warranty

KES warrants its products purchased from authorized sellers to be free from defects in material and workmanship for one (1) year from the original date of purchase.

## What We Will Do

KES will repair or replace, FREE OF CHARGE, during the one (1) year warranty period, any part that proves defective in material and/or workmanship under normal installation, use and service. If repair or replacement is not practical, KES may elect to refund the purchase price in exchange for the return of the product.

## What Is Not Covered

KES shall not be liable for any damage to the product resulting from reasonable wear and tear, installation and maintenance errors, outdoor use, freezing water, abuse, misuse, and use of cleaners containing abrasive cleansers, ammonia, bleach, acids, waxes, alcohol or other organic solvents.

KES is not responsible for removal, installation, labor charges, or other incidental or consequential costs. In no event shall the liability of KES exceed the purchase price of the product.

KES AND/OR SELLER ARE PROVIDING THESE WARRANTIES IN LIEU OF ALL OTHER WARRANTIES, EXPRESSED OR IMPLIED, INCLUDING BUT NOT LIMITED TO THE IMPLIED WARRANTIES OF MERCHANTABILITY AND FITNESS FOR A PARTICULAR PURPOSE. KES AND/OR SELLER DISCLAIM ALL LIABILITY FOR SPECIAL, INCIDENTAL OR CONSEQUENTIAL DAMAGES.

Some jurisdictions do not allow the exclusion or limitation of incidental or consequential damages, so these limitations and exclusions may not apply to you. This warranty gives you specific legal rights and you may also have other rights which vary from jurisdiction to jurisdiction.

This warranty applies only to KES products sold in North America and Europe.

## Contact KES

Email: [cs@keshome.com](mailto:cs@keshome.com)

Online Contact:



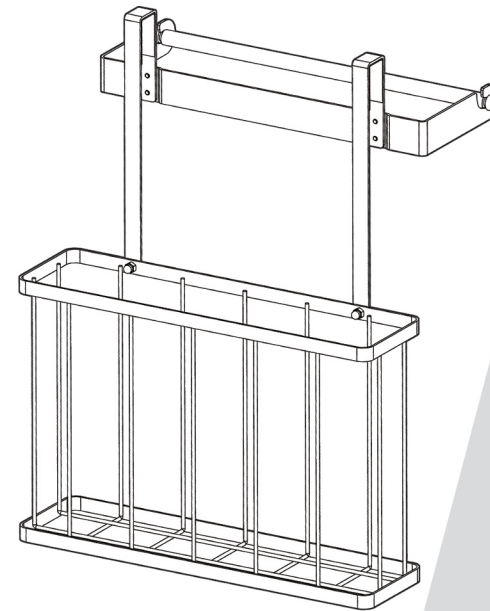
Please provide:

- Dated proof of purchase;
- Description of the defect/fault;
- Picture or video showing the issue(s) (optional).



# KES

## OVER-THE-DOOR ORGANIZER INSTALLATION GUIDE



## WARNING

To reduce the risk of injury or property damage, read and follow all the installation instructions before installing this product.

KUR522

CUSTOMER SERVICES

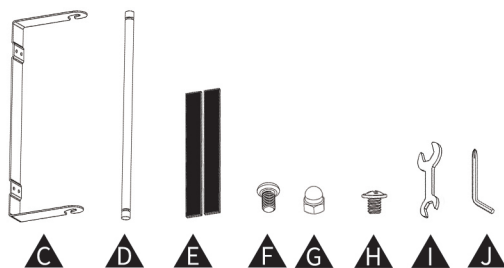
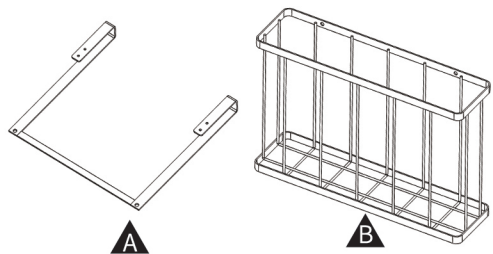
[cs@keshome.com](mailto:cs@keshome.com)



CHAT NOW

KUR522.V1.0

## PRODUCT COMPONENTS



### Parts List

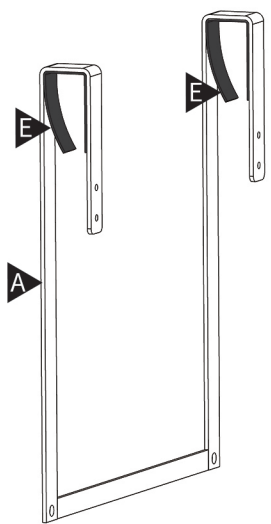
- A. Over-the-door Rack (x1)
- B. Basket (x1)
- C. Paper Towel Rod Holder (x1)
- D. Paper Towel Rod (x1)
- E. Self-adhesive Tape (x2)
- F. M5\*8 Screw (x2)
- G. M5\*8 Screw Nut (x2)
- H. M4\*5 Screw (x4)
- I. Wrench (x1)
- J. Allen Key (x1)

### Spare Parts:

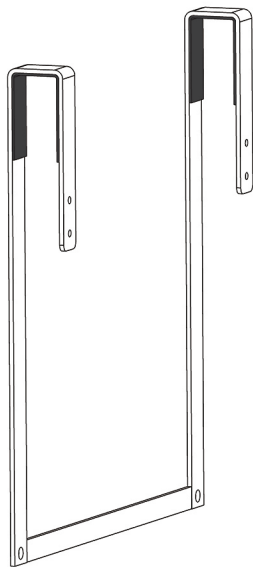
- F. M5\*8 Screw x1
- G. M5\*8 Screw Nut x1
- H. M4\*5 Screw x1

## INSTALLATION STEPS:

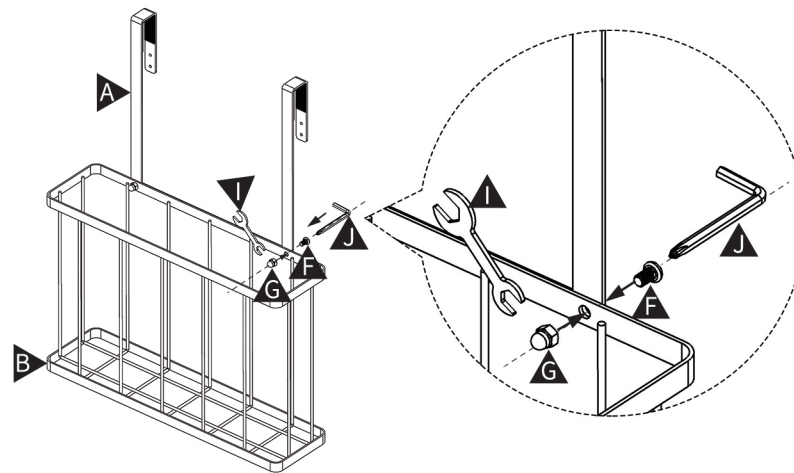
1 Apply the self-adhesive tape.



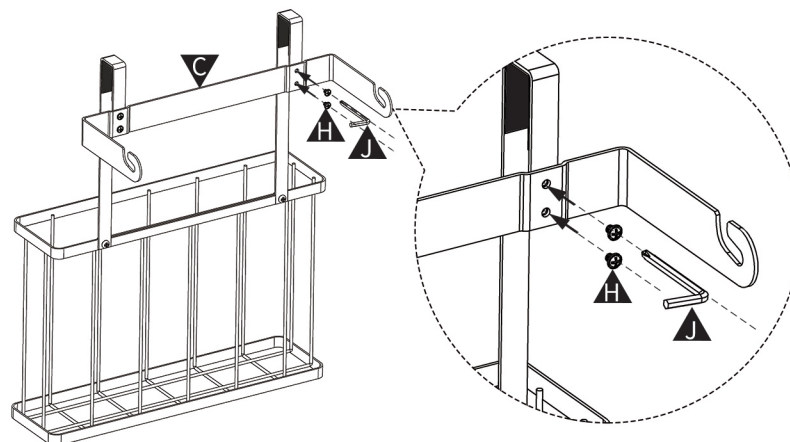
2



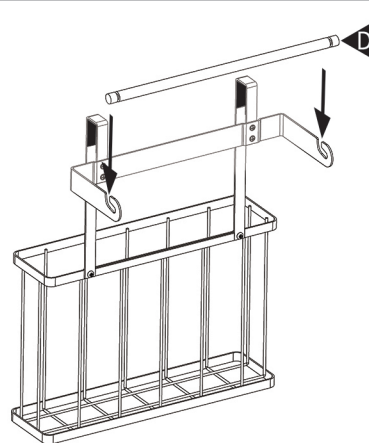
3



4



5



6

