

KES

ELECTRIC TOOTHBRUSH HOLDER INSTALLATION GUIDE

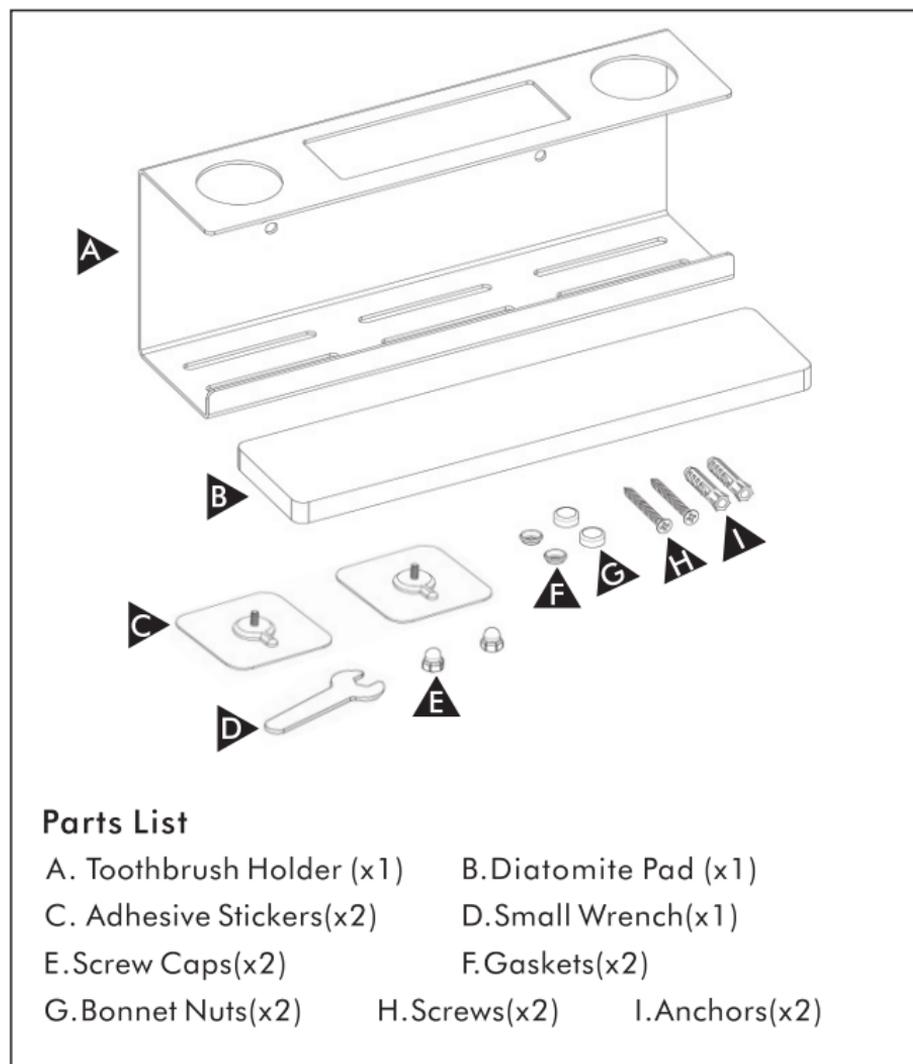
BETH200DF

Copyright © 2021 KES or its affiliates.

All Rights Reserved.

BETH200DF.V1.0

PRODUCT INTRODUCTION



HELPFUL TOOLS



Electric Drill



Phillips
Screwdriver



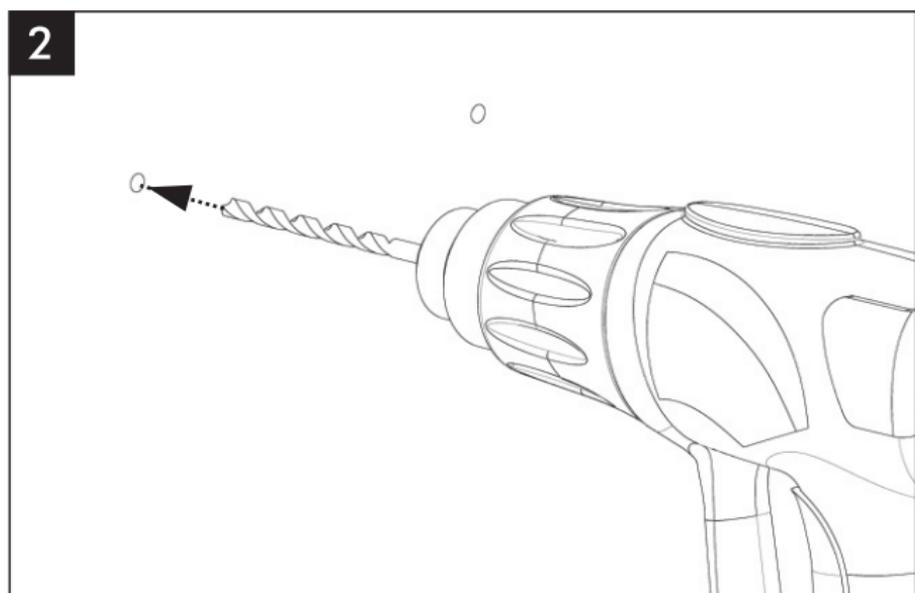
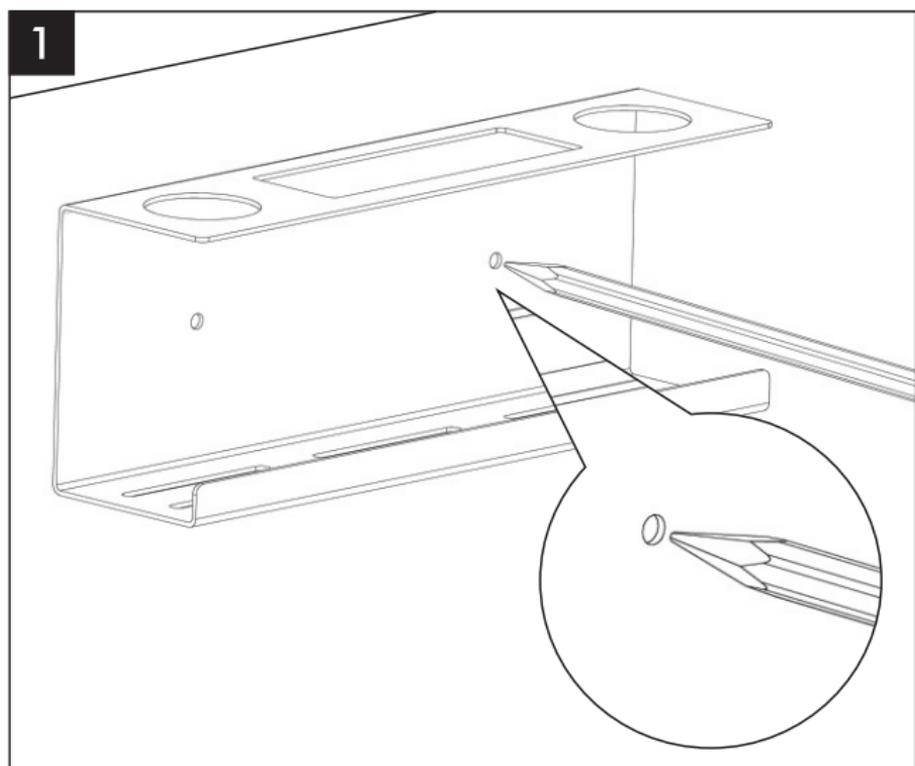
Pencil

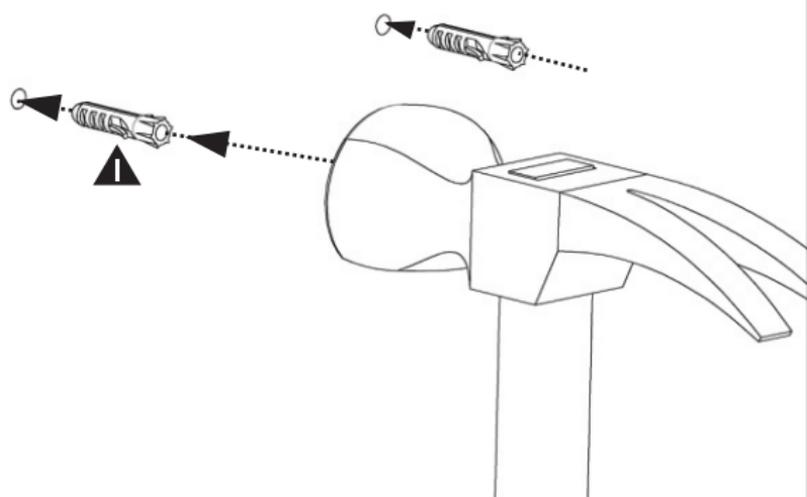
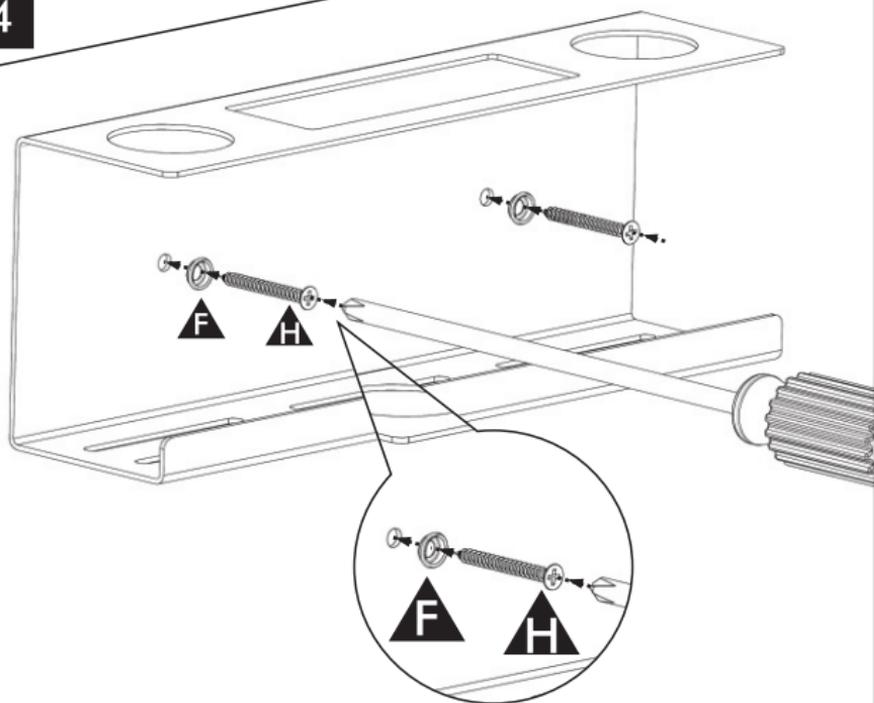


Hammer

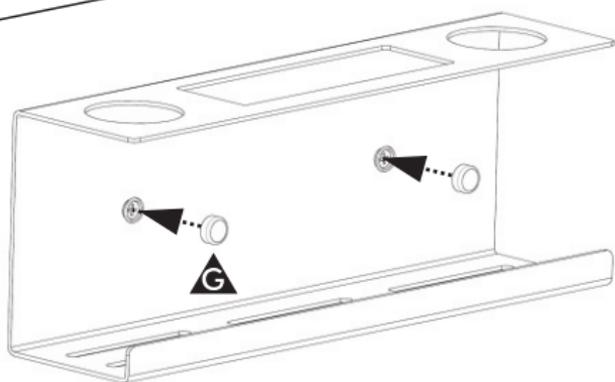
1 SCREW MOUNT INSTALLATION

Drill bit size: 6mm(15/64")

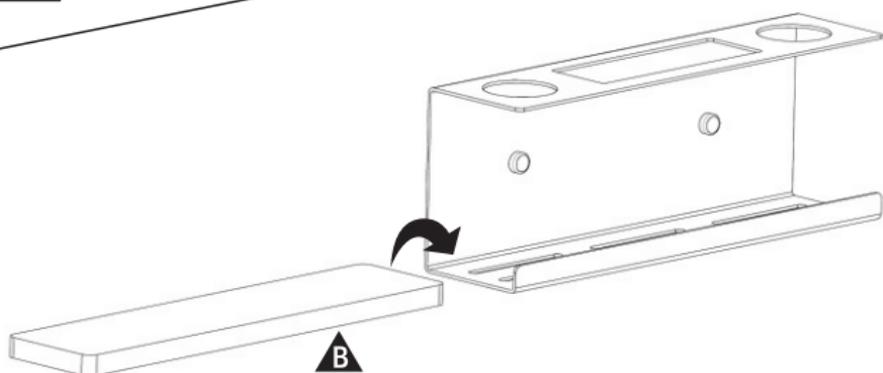


3**4**

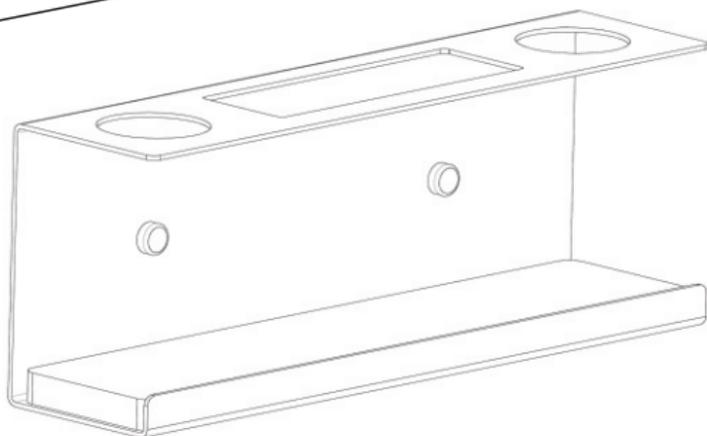
5



6

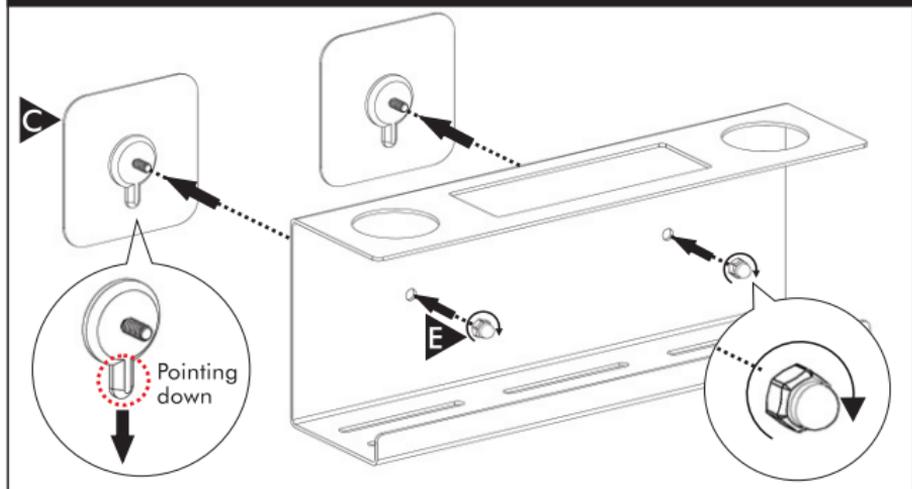


7

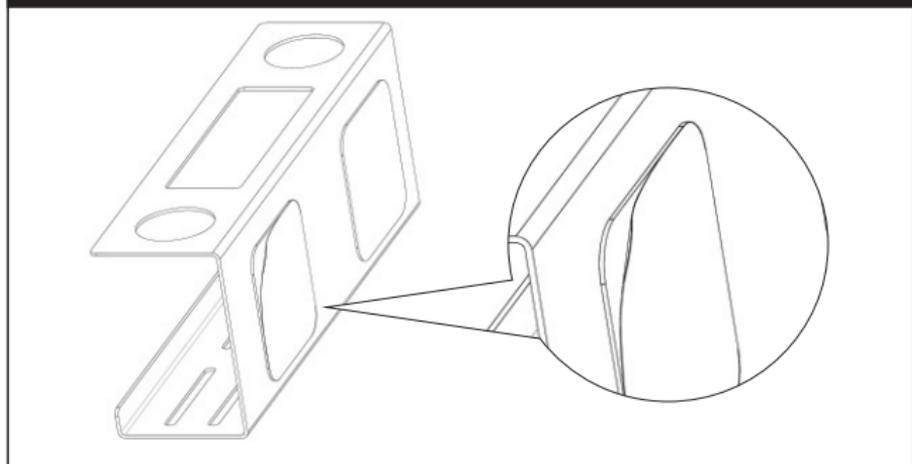


2 DRILL-FREE INSTALLATION

- 1 To ensure proper alignment, place the drill-free adhesives with built-in support screws through the hole on the back of the shelf with the support tab pointing down and screw on the caps.



- 2 Remove the adhesive's protective backing.

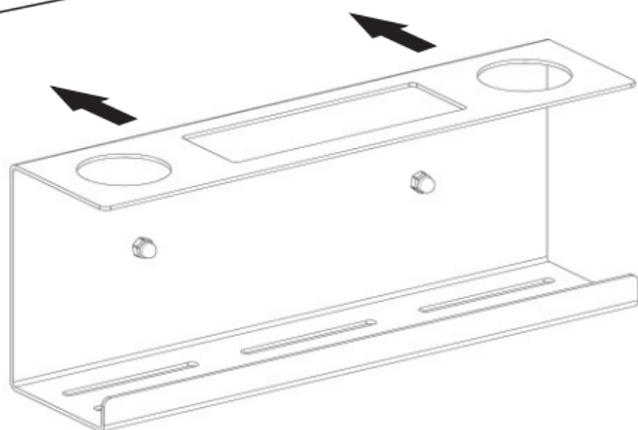


KES

Keep Efficient Simple

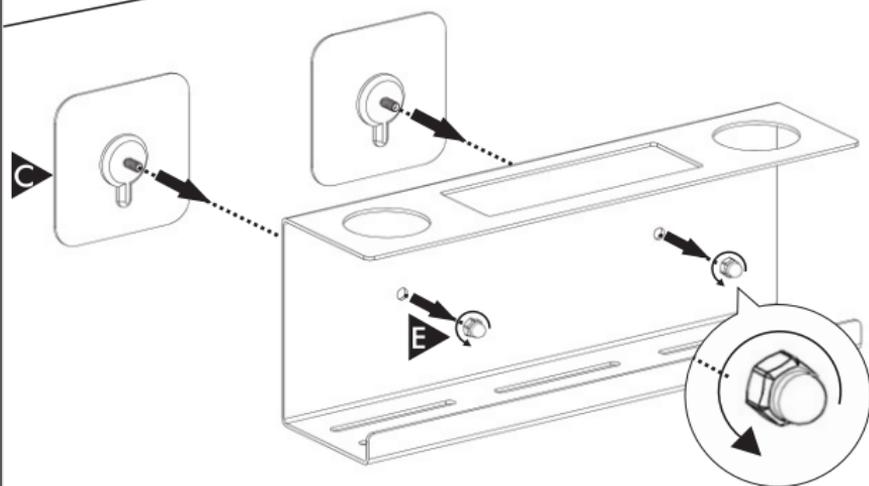
3

Adhere the shelf to the wall.

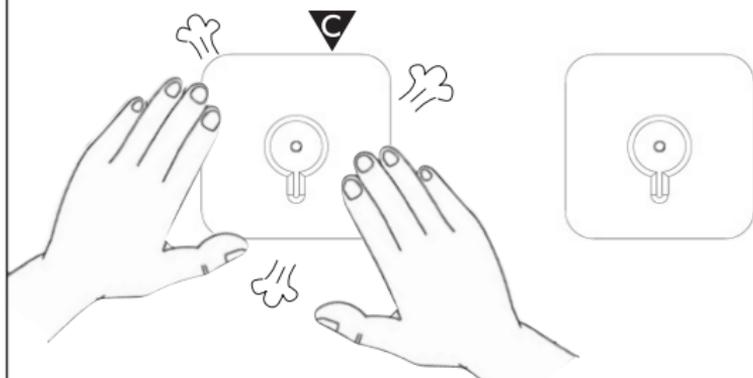


4

Unscrew the caps and take the shelf off.



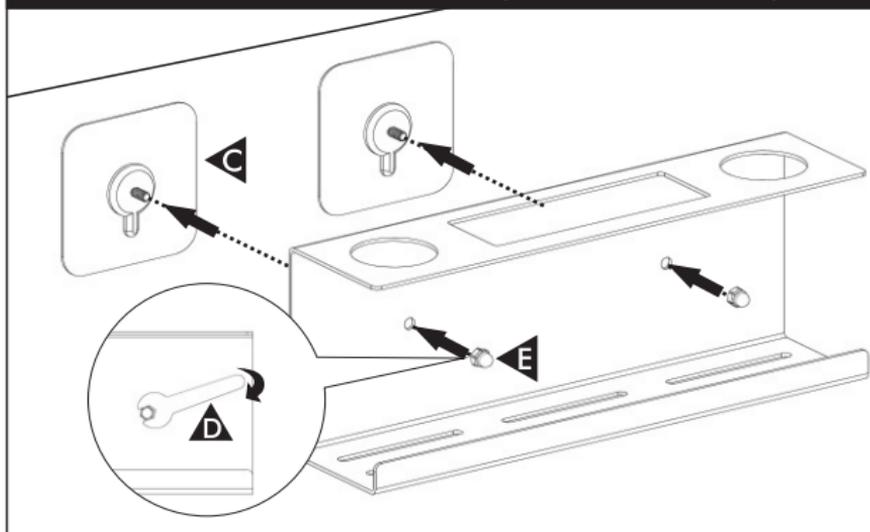
5 Firmly smooth all the air out of the adhesive.

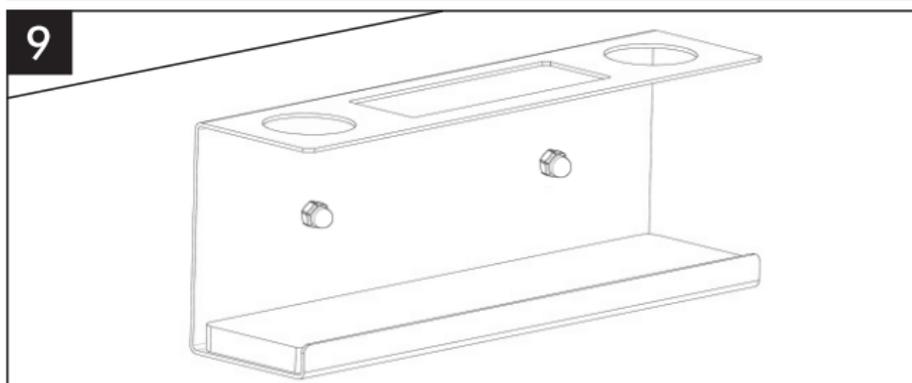
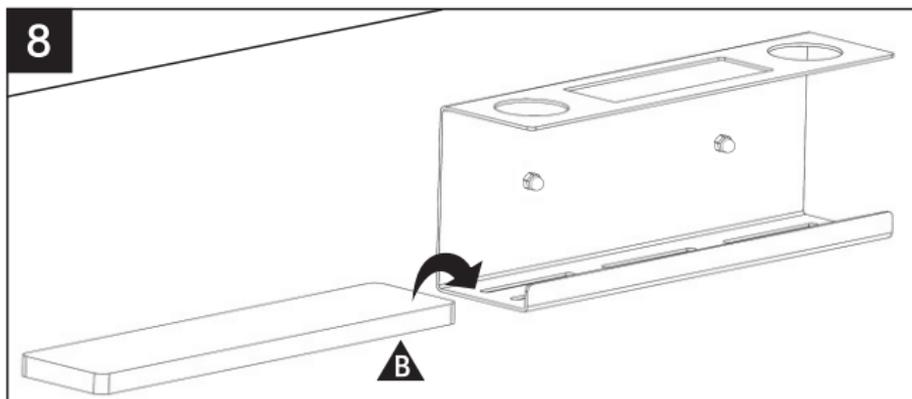


6 Wait 12 hours before using.



7 Reinstall the shelf and tighten the screw caps.





KES LIMITED ONE-YEAR WARRANTY

All parts of the KES product are warranted to the original consumer purchaser to be free from defects in material and workmanship ("Defect") for a period of one (1) year.

This warranty is made to the original consumer purchaser and shall be effective from date of purchase as shown on purchaser's receipt.

During the warranty period, if defect is confirmed by KES's inspection, KES may, at its sole discretion, repair, provide a replacement of any part or the whole product, or make appropriate adjustment where KES's inspection discloses any such defect.

Damages caused by accident, misuse or abuse of use are not covered by this warranty. Proof of purchase (original sales receipt) from the original consumer purchaser must accompany all warranty claims. KES will not be responsible for labor charges and/or damage incurred in installation, repair or replacement, nor for any direct, indirect, incidental or consequential damages, losses, injuries or costs caused by the product. In no event shall the liability of KES exceed the purchase price of the product.

THIS WARRANTY IS THE ONLY EXPRESS WARRANTY MADE BY KES. ANY CLAIMS MADE UNDER THIS WARRANTY MUST BE MADE DURING THE ONE YEAR PERIOD REFERRED TO ABOVE.

ANY IMPLIED WARRANTIES, INCLUDING THE IMPLIED WARRANTY OF MERCHANTABILITY OR FITNESS FOR A PARTICULAR PURPOSE, ARE LIMITED TO THE DURATION OF THIS WARRANTY.

KES AND/OR SELLER DISCLAIM ANY LIABILITY FOR SPECIAL, INCIDENTAL OR CONSEQUENTIAL DAMAGES.

The above limitations or exclusions apply to you UNLESS the law of the places that you purchased KES product prohibit such limitations or exclusions.

This warranty does not extend to any damage to this product due to misuse, abuse, negligence, accident, improper installation, any use violating the instructions furnished by KES or any use of replacement parts other than genuine KES parts.

If you ever use cleaners containing abrasive cleansers, ammonia, bleach, acids, waxes, alcohol, solvents or other products not recommended on KES product, any right you may have under this warranty will be forfeited.