

KES

SINK DRAIN INSTALLATION GUIDE

S1000

CUSTOMER SERVICES

cs@keshome.com



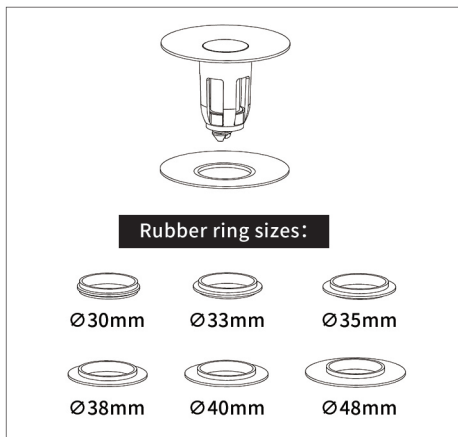
CHAT NOW

S1000.V1.0

WARNING

To reduce the risk of injury or property damage, read all of the instructions before installing the product and wear safety goggles. The product must be installed in accordance with all state & local plumbing & building codes. Call a professional if you are uncertain about installing this product.

THIS DRAIN PLUG WORKS WITH A VARIETY OF DIFFERENT RUBBER RING SIZES.




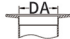
1 First, measure the inside diameter of your bathroom sink's drain hole, and then select the corresponding size rubber ring for installation (see the table below).

Note: Under normal circumstances, the outer diameter of the rubber ring should be 1.5-2mm larger than the inside diameter of the drain hole.

Example: A $\text{Ø}30\text{mm}$ outer diameter rubber ring should be used for a drain hole with a $\text{Ø}28.5\text{mm}$ inside diameter.

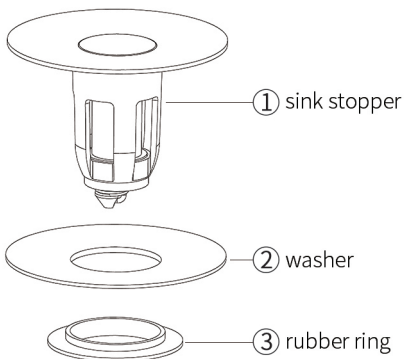
How to choose the correct rubber ring?

Sort the rings from smallest to largest: 30mm, 33mm, 35mm, 38mm, 40mm, 48mm.

 D(mm)	 DA(mm)
Ø30	Ø28.5
Ø33	Ø31.5
Ø35	Ø33.5
Ø38	Ø36
Ø40	Ø38.5
Ø48	Ø46.5

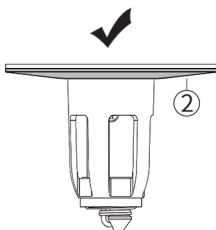
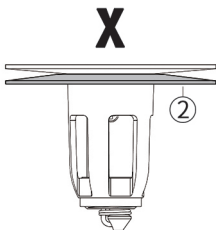
2

How to install the rubber ring:

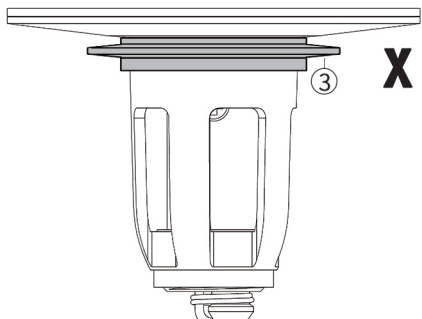
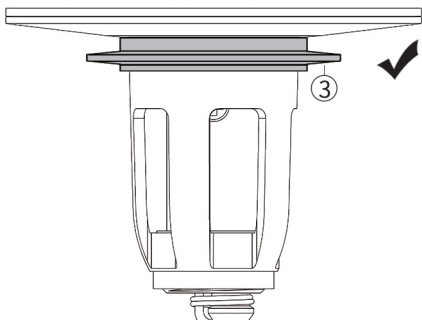


3

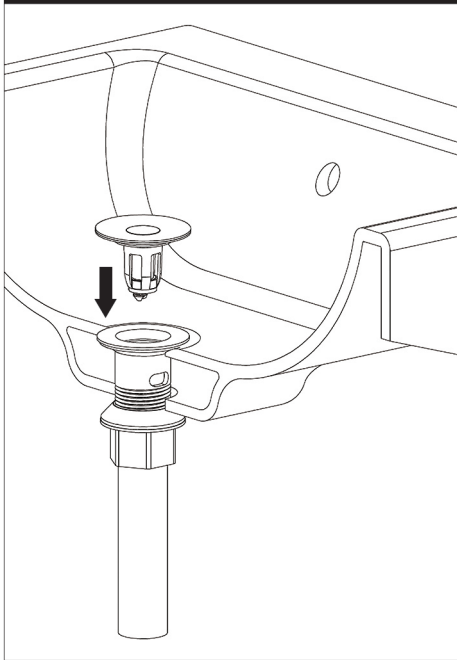
Check to see if the washer is facing the right way.



4 Check to see if the rubber ring is facing the right way. The thicker side should on the top.



- 5 After putting the rubber ring in place, put the drain plug over the sink hole and push it down gently to finish the installation.



ONE-YEAR LIMITED WARRANTY

KES warrants its products purchased from authorized sellers to be free from defects in material and workmanship for one (1) year from the original date of purchase.

WHAT WE WILL DO

KES will repair or replace, FREE OF CHARGE, during the one (1) year warranty period, any part that proves defective in material and/or workmanship under normal installation, use and service.

If repair or replacement is not practical, KES may elect to refund the purchase price in exchange for the return of the product.

WHAT IS NOT COVERED

KES shall not be liable for any damage to the product resulting from reasonable wear and tear, installation and maintenance errors, outdoor use, freezing water, abuse, misuse, and use of cleaners containing abrasive cleansers, ammonia, bleach, acids, waxes, alcohol or other organic solvents.

KES is not responsible for removal, installation, labor charges, or other incidental or consequential costs. In no event shall the liability of KES exceed the purchase price of the product.

KES AND/OR SELLER ARE PROVIDING THESE WARRANTIES IN LIEU OF ALL OTHER WARRANTIES, EXPRESSED OR IMPLIED, INCLUDING BUT NOT LIMITED TO THE IMPLIED WARRANTIES OF MERCHANTABILITY AND FITNESS FOR A PARTICULAR PURPOSE. KES AND/OR SELLER DISCLAIM ALL LIABILITY FOR SPECIAL, INCIDENTAL OR CONSEQUENTIAL DAMAGES.

Some jurisdictions do not allow the exclusion or limitation of incidental or consequential damages, so these limitations and exclusions may not apply to you. This warranty gives you specific legal rights and you may also have other rights which vary from jurisdiction to jurisdiction.

This warranty applies only to KES products sold in North America and Europe.

CONTACT KES

Email: cs@keshome.com

Online Contact:



Please provide:

- Dated proof of purchase;
- Description of the defect/fault;
- Picture or video showing the issue(s) (optional).

KES

Keep Efficient Simple