

KES

Keep Efficient Simple



Keep Efficient Simple

SHOWER SYSTEM INSTALLATION GUIDE

CUSTOMER SERVICES

cs@keshome.com



CHAT NOW

XB6305.V2.0

Table of Contents

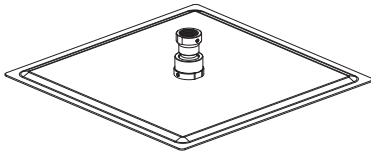
Pack List	02
Illustrated Parts	03
After-sale Service.....	05
Notes Before Installation.....	06
Important Dimensions.....	07
Rough-in Installation.....	08
Handle Installation and Operation.....	14
Check for Leaks.....	17
Check for Temperature.....	20
Protective Cover Installation.....	22
Showerhead & Handshower & Tub Spout Installation.....	24
Low Pressure / Slow Flow?.....	31
Water not hot enough?.....	32
Troubleshooting.....	37
Care Instructions.....	42
Lifetime Limited Warranty.....	44

SCAN TO WATCH VIDEO

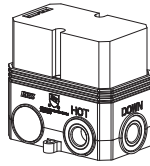


Installation

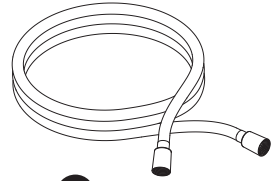
Pack List



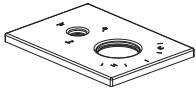
1 Showerhead



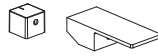
2 Pressure Balance Valve



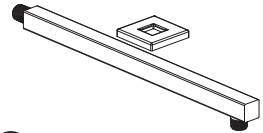
3 Shower Hose



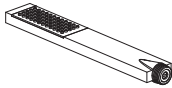
4 Escutcheon



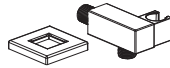
5 Diverter Knob & Handle



6 Shower Arm & Flange



7 Handshower















8 Handshower Supply Elbow & Flange



9 Tub Spout & Adapter Elbow

10 Hardware

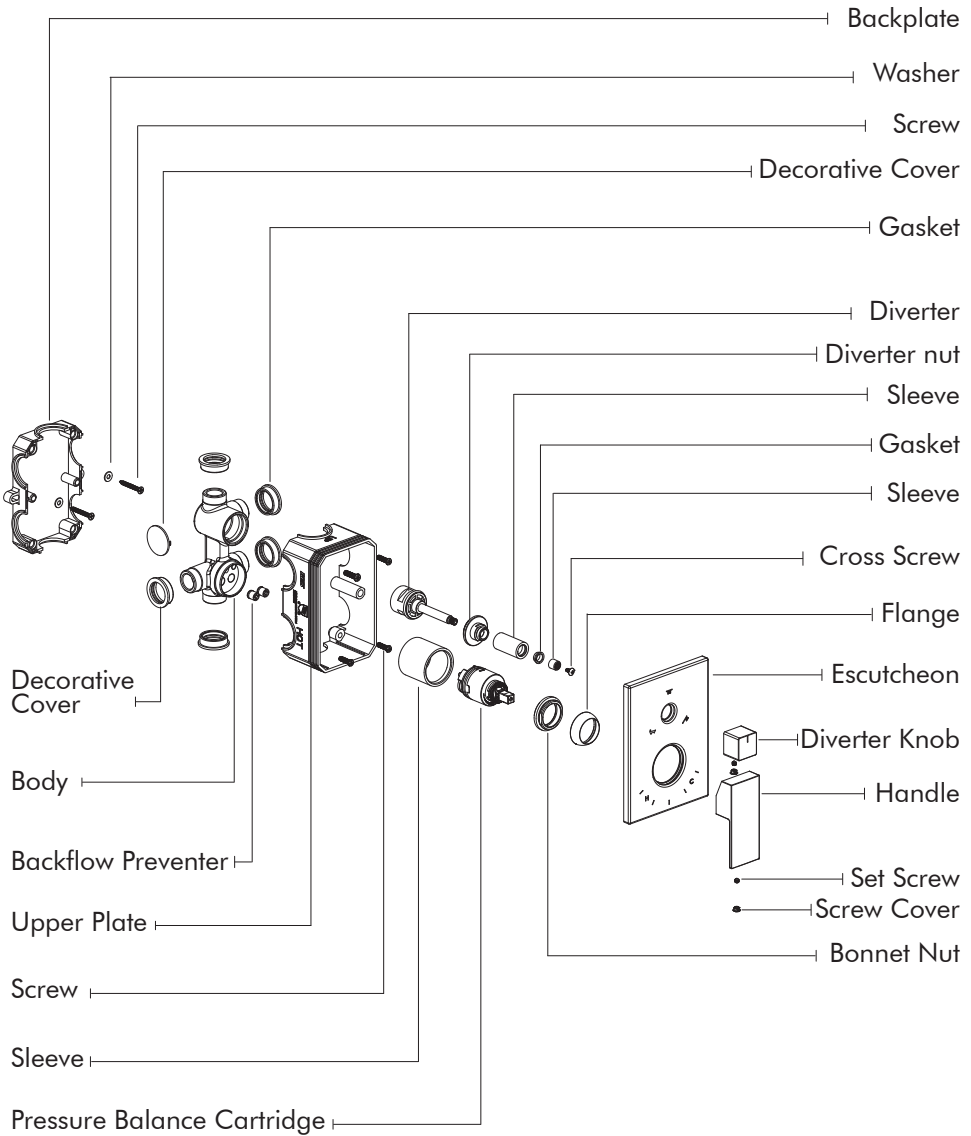
Rough-in Kit					
	x4	x4	x2	x4	x1
Shower Trim Kit					
	x2	x1			
Spare Kit					
	x2	x1	x3	x5	x1

Parts Missing/Damaged?

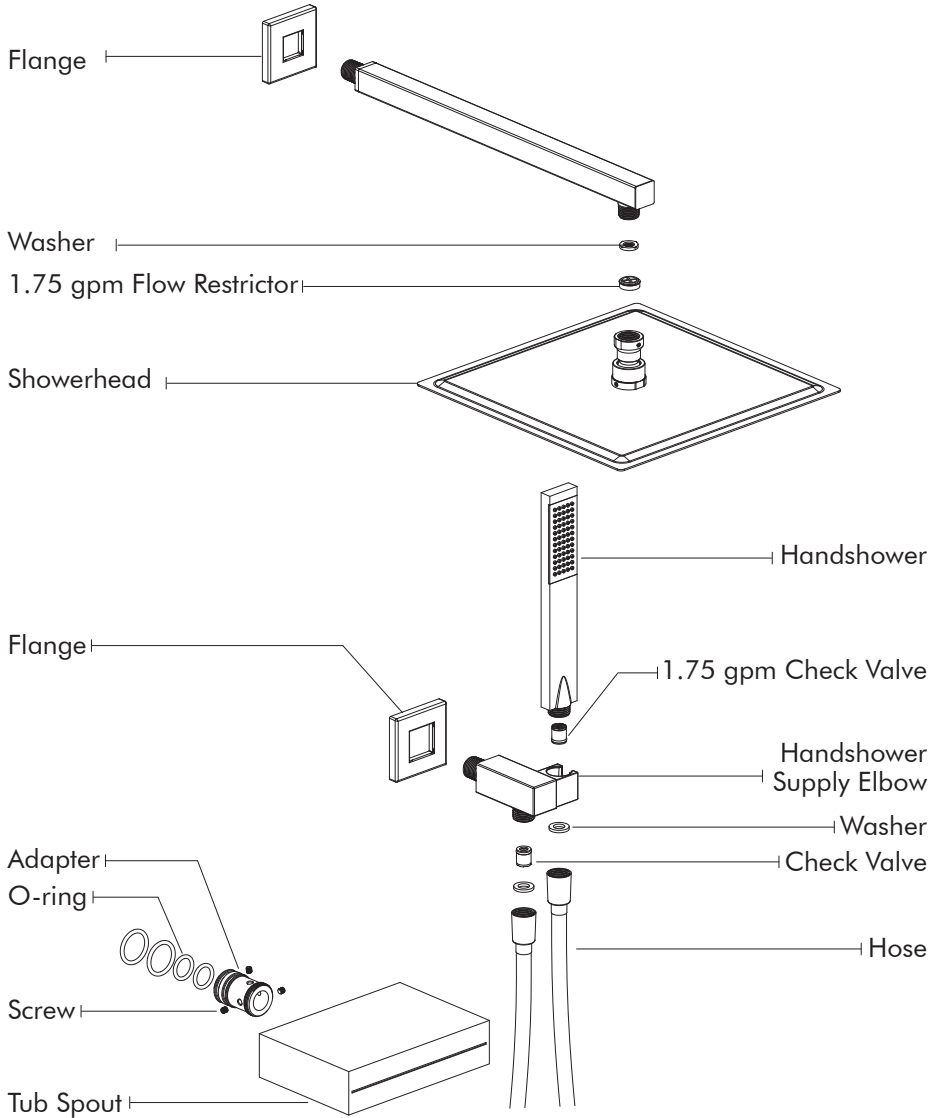


Contact us
Replace for FREE
cs@keshome.com

Illustrated Parts



Illustrated Parts



After-sale Service



24-Hour Customer Support

Visit our customer support center for solutions 24/7:

<https://www.keshome.com/solutions>

Customer services via Amazon Message, instant chat, or email during business hours.



Free Replacement Parts

Contact us if there are parts damaged or missing. Parts will be provided FREE of charge. (Shipping fees may apply)



1-on-1 Responsive Customer Service

No need to repeat your case every time you contact us. We will have a dedicated, professional team to work on your problem until it is resolved.



Parts Customization

Don't worry about unexpected challenges during projects. We've got you covered! Let us know your specific requirements, and we'll try our best to customize parts that fulfill those needs.



Return Policy

Feel free to return within 30 days of purchase. Just make sure all items (especially hardware pack) are in the box and contact us.

Missing Return Window?

No Worry!

We totally understand

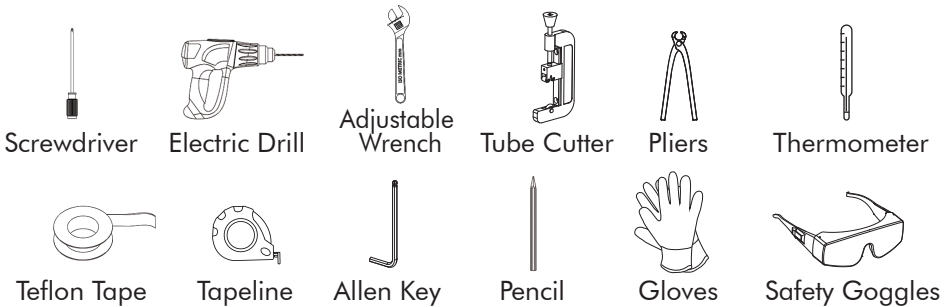


Contact us

Replace for FREE

Notes Before Installation

Helpful Tools



Working Conditions

Environment Temperature: 5 - 48.9°C (41 - 120°F)

Inlet Water Temperature: 5 - 70°C (41 - 158°F)

Water Pressure: 0.14 - 0.55 MPa

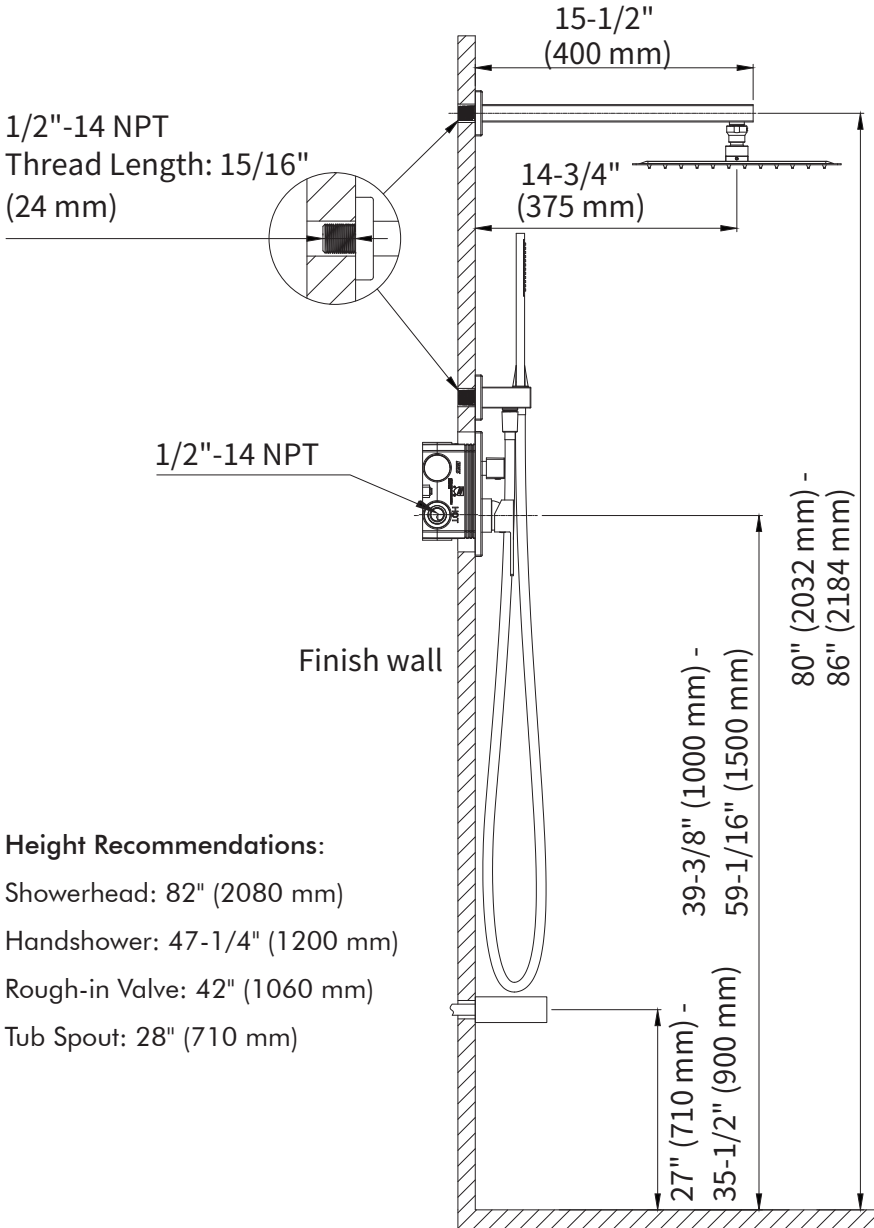
Plumbing Connection: 1/2"-14 NPT

Notes Before Installation

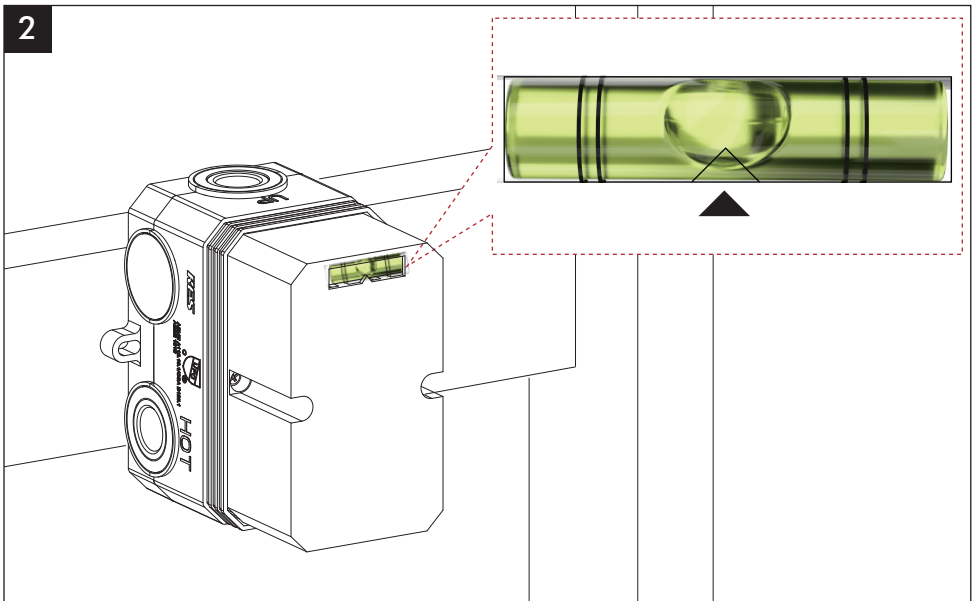
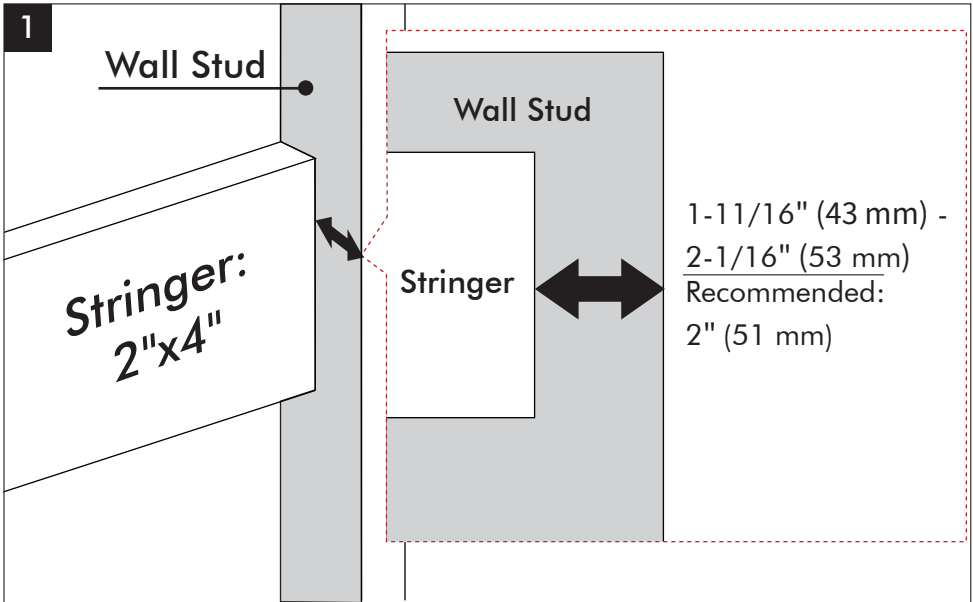
Read all instructions before installation and follow this manual to install this product.

- Wear gloves during installation. DO NOT use hard or sharp tools such as a wrench to touch the coated product surfaces directly, or it may cause scratches and damage.
- The product is NOT designed for outdoor use.
- This product must be installed, flushed, and tested in accordance with all state and local plumbing and building codes. Call a professional if you are uncertain about installing this product properly.
- The product may only be used for bathing, hygienic, and body cleaning purposes.
- Choking hazard. Please keep all small parts and plastic bags out of the reach of children.

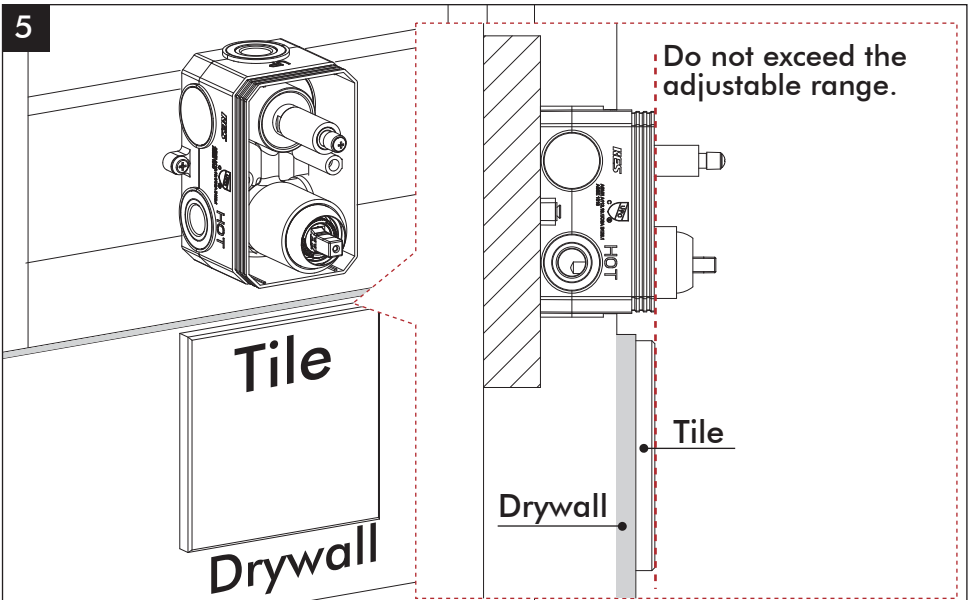
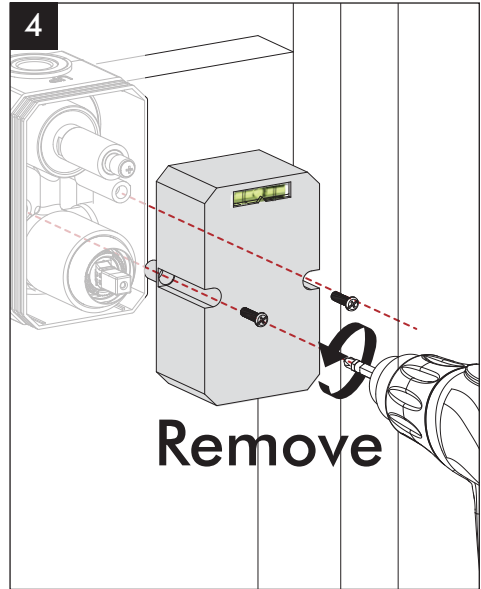
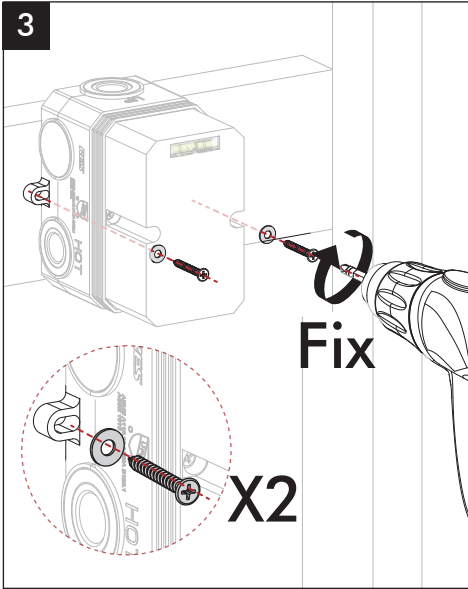
Important Dimensions



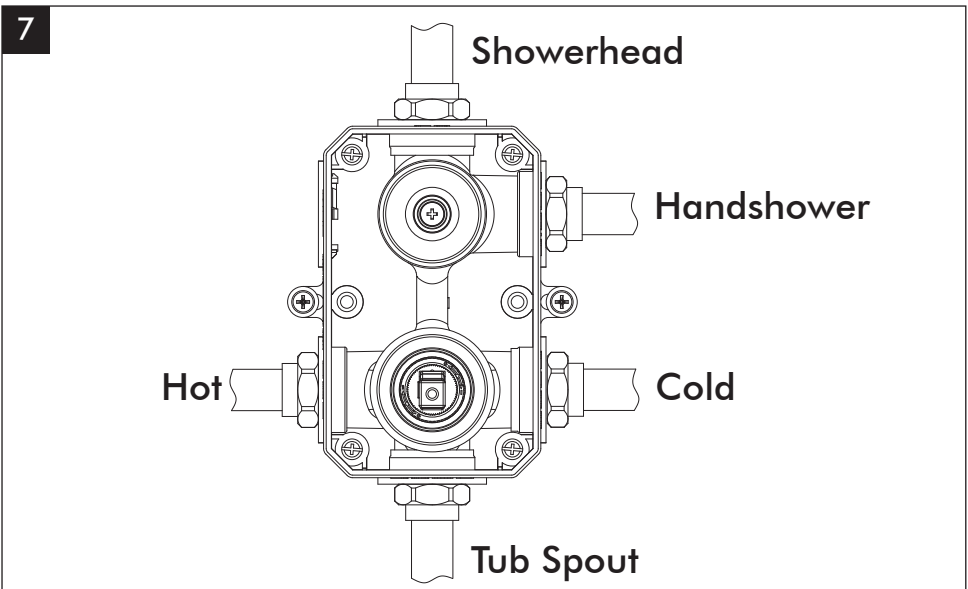
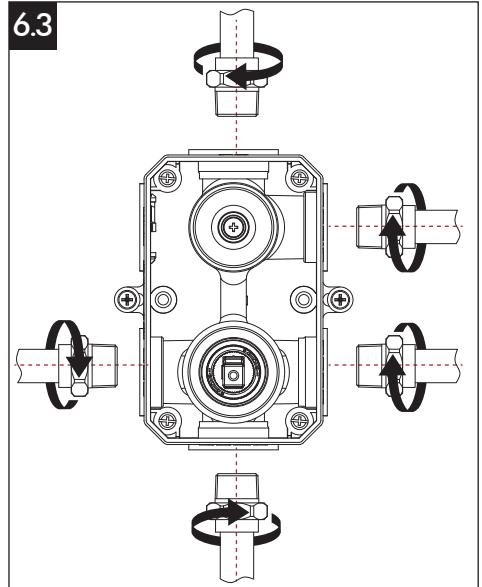
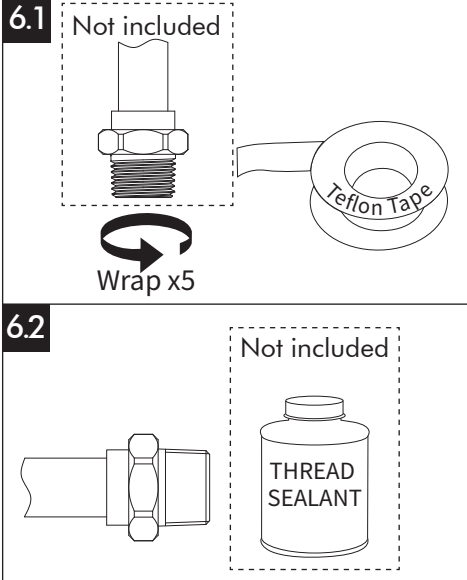
Rough-in Installation



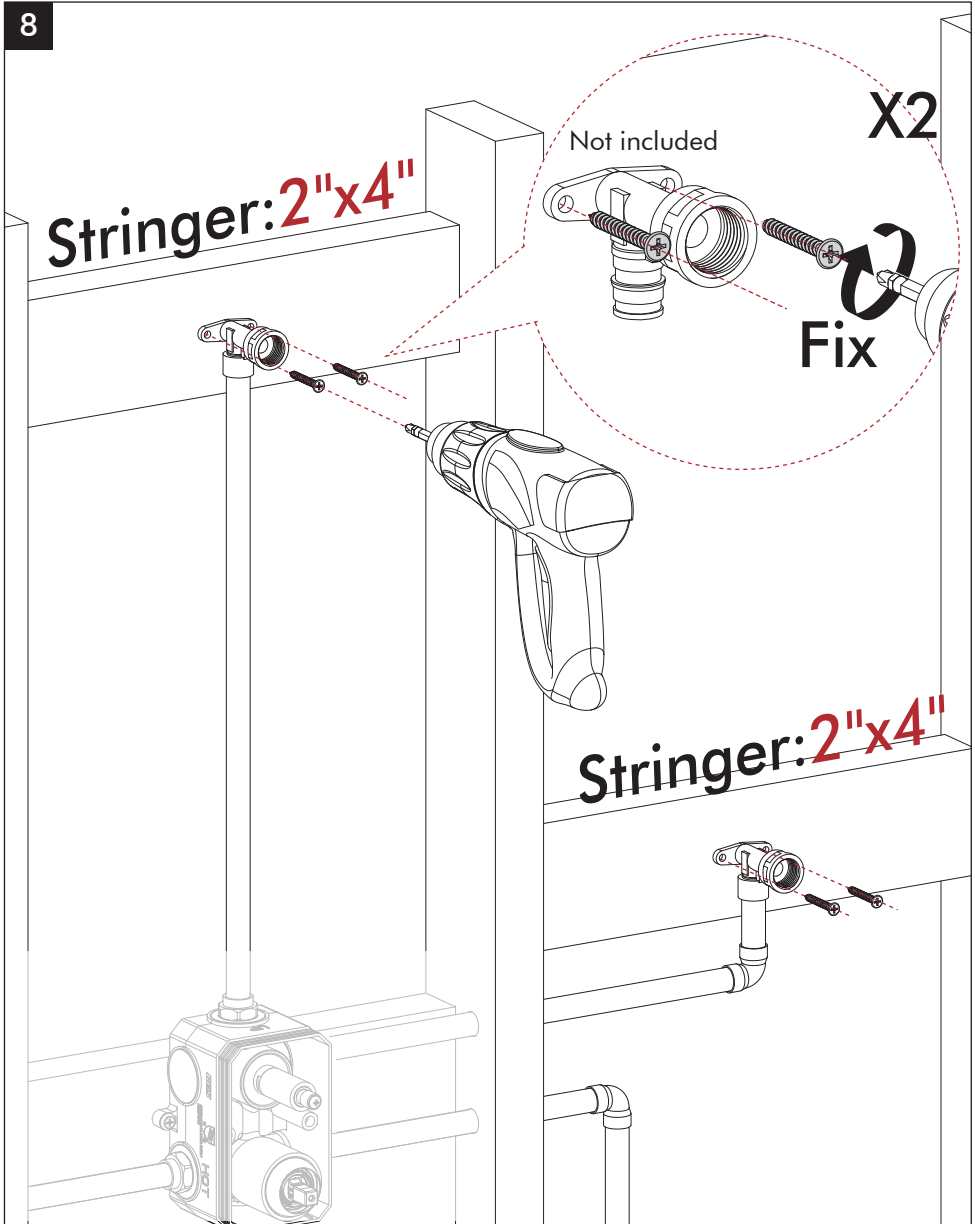
Rough-in Installation



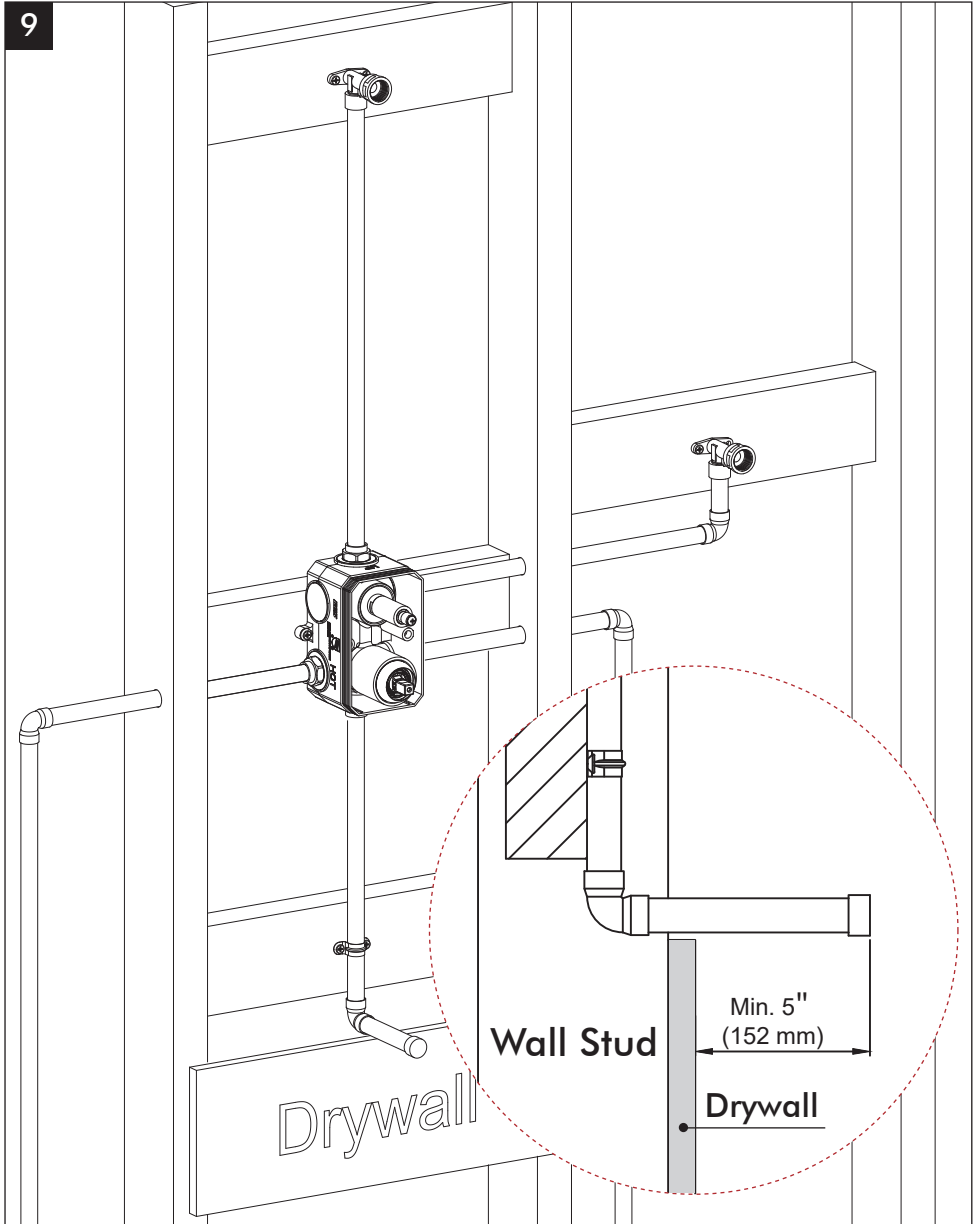
Rough-in Installation



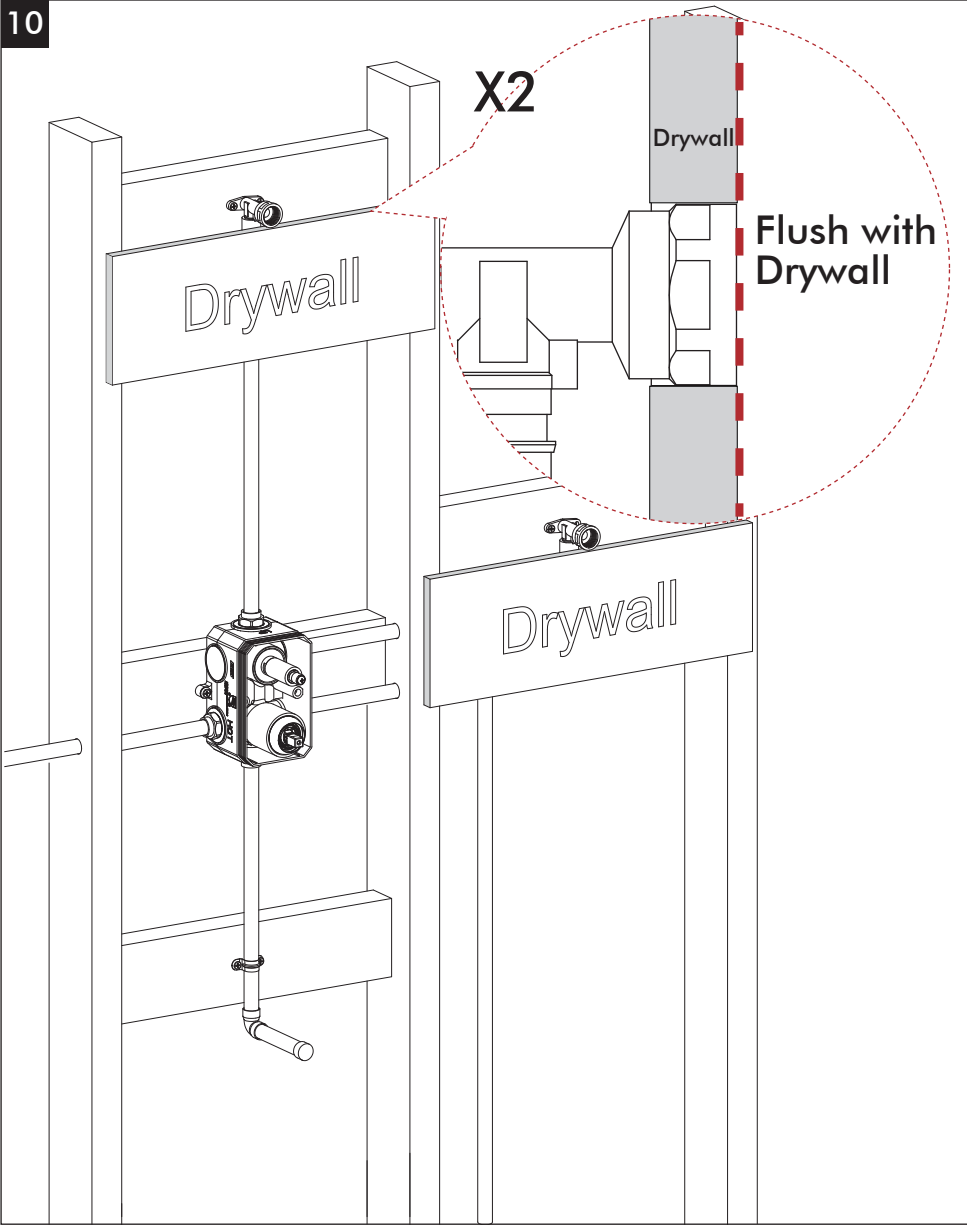
Rough-in Installation



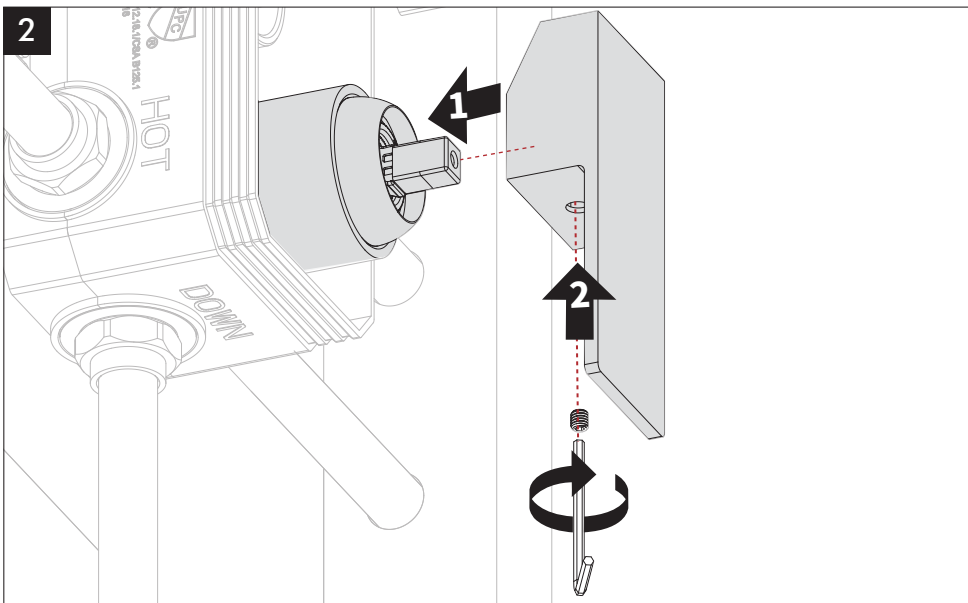
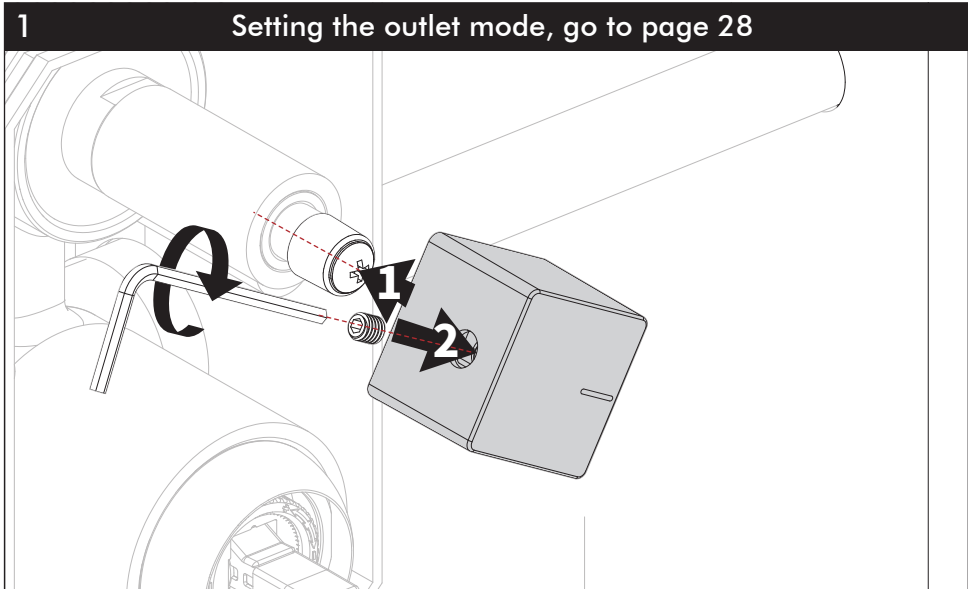
Rough-in Installation



Rough-in Installation



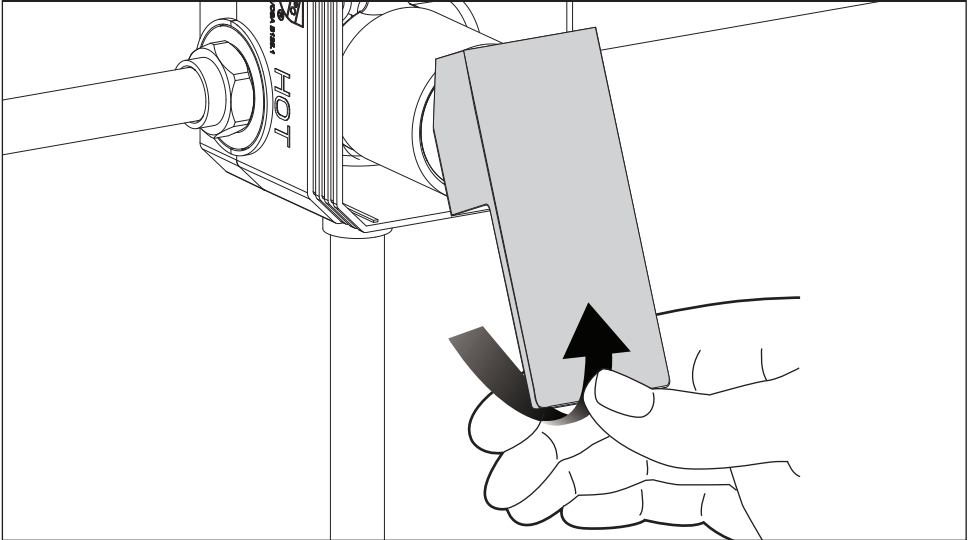
Handle Installation and Operation



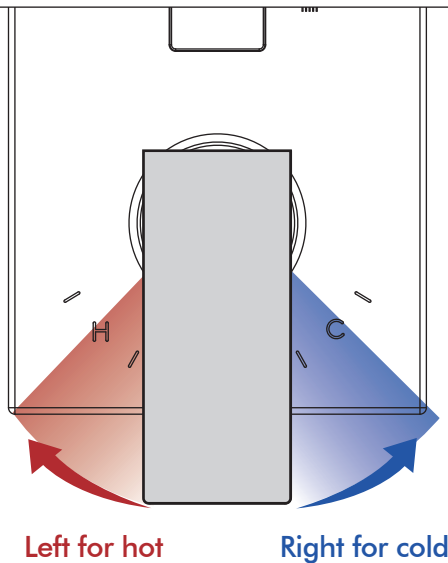
Handle Installation and Operation

3.1

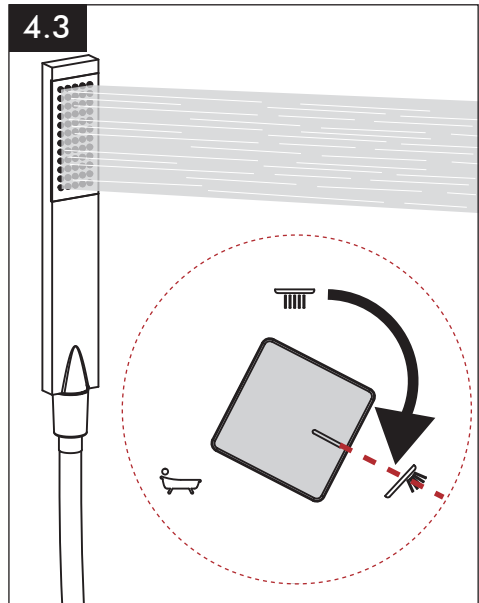
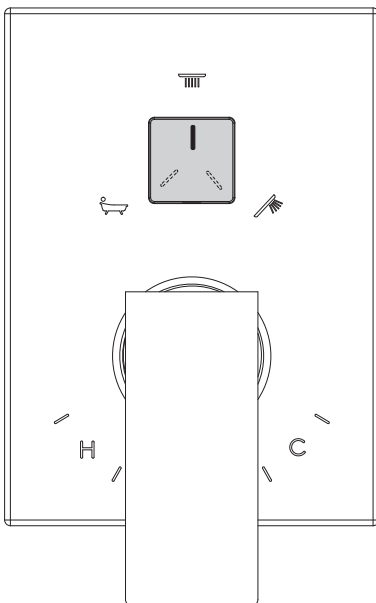
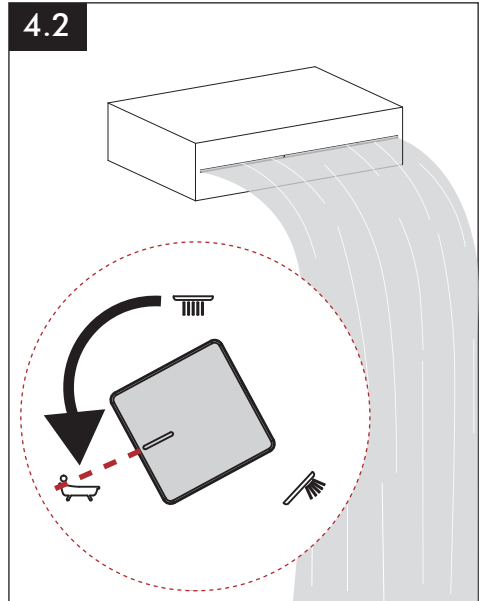
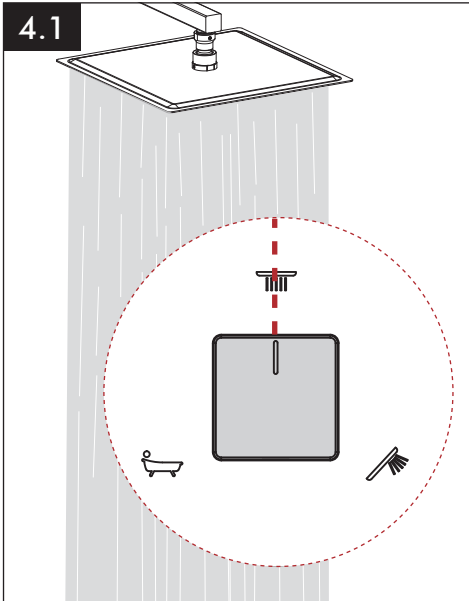
Lift up for volume control



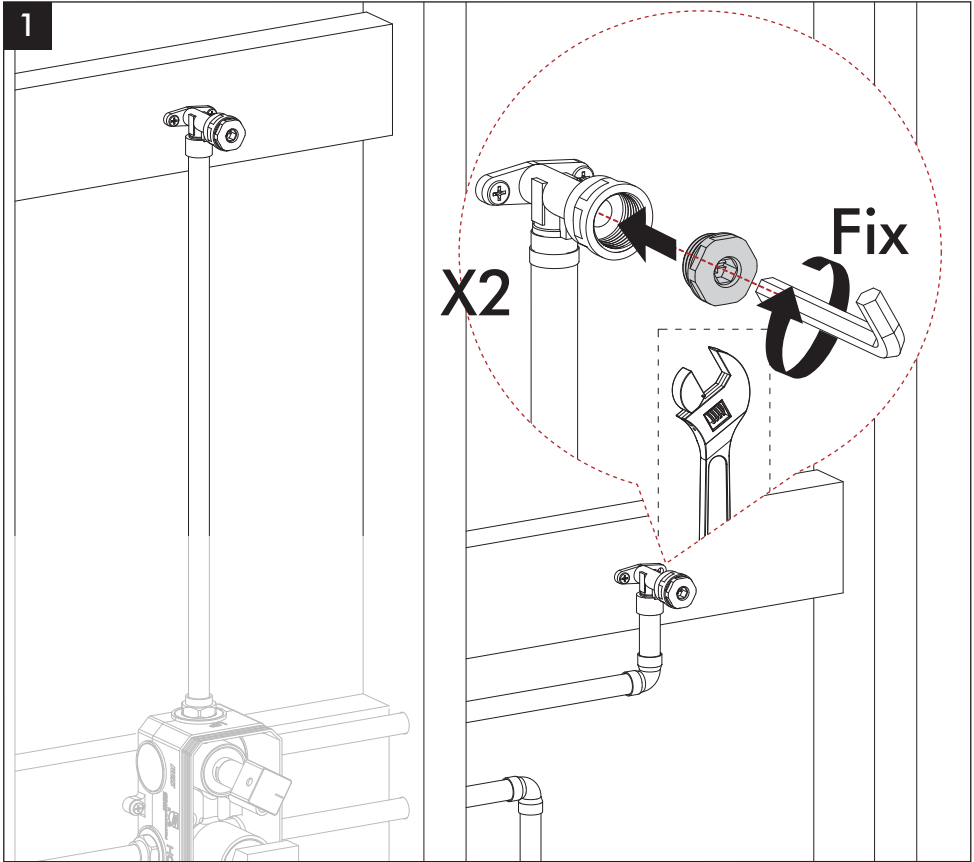
3.2



Handle Installation and Operation



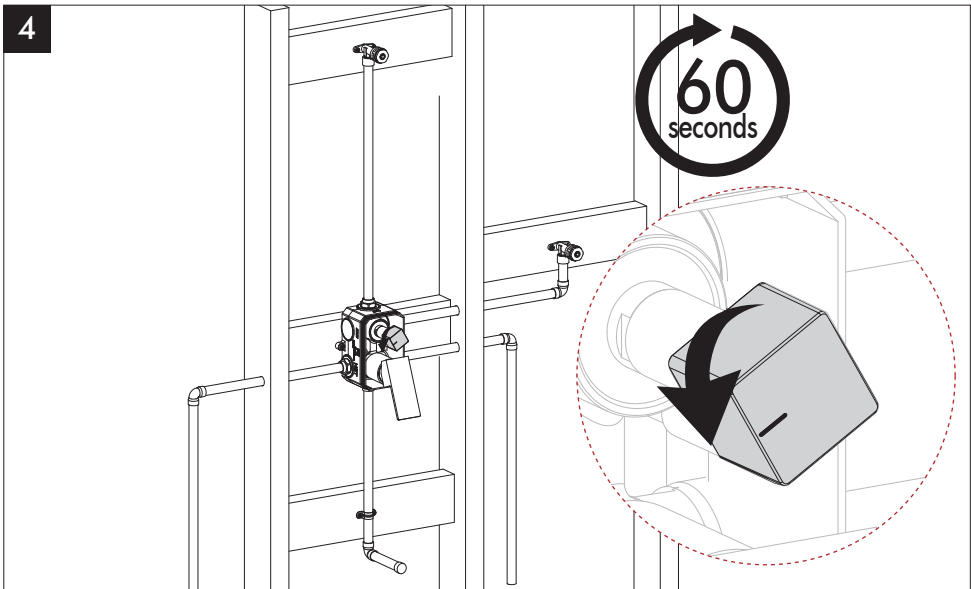
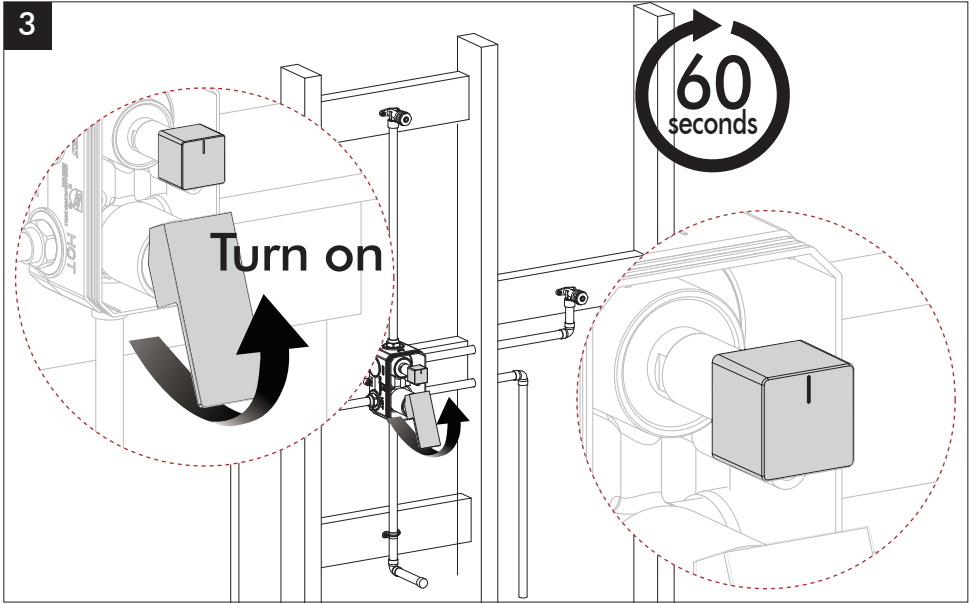
Check for Leaks



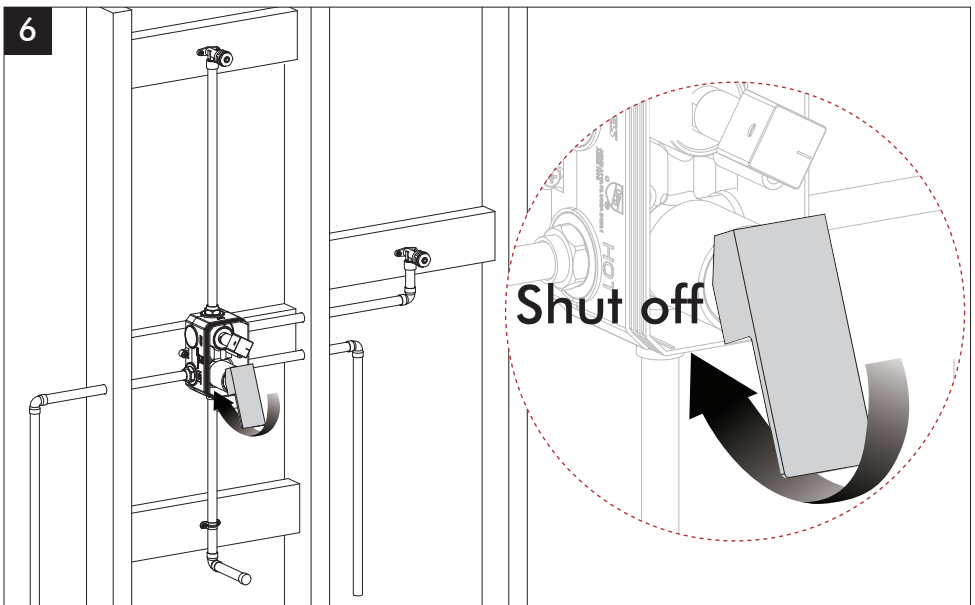
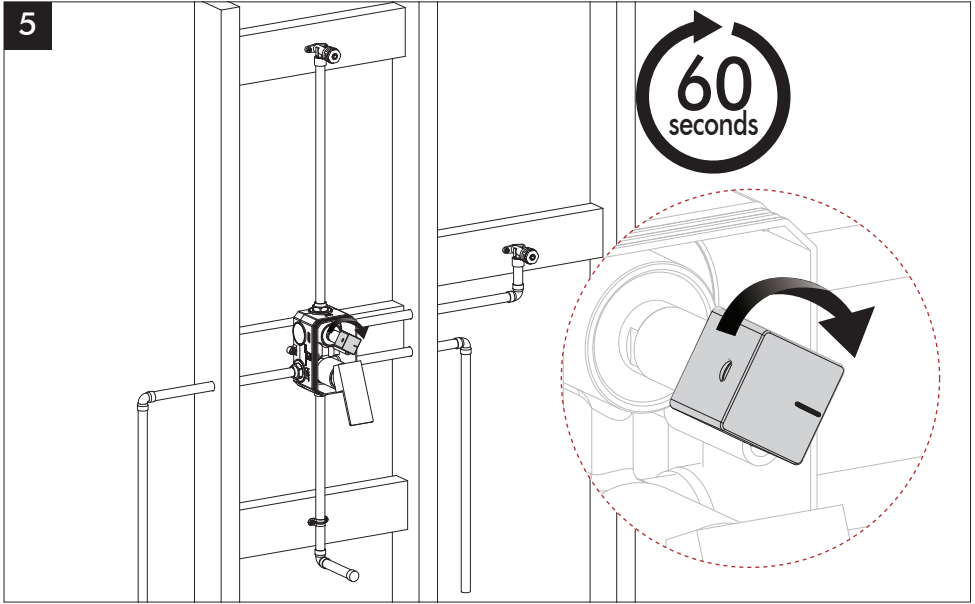
2

Turn on **BOTH** hot and cold water supplies.

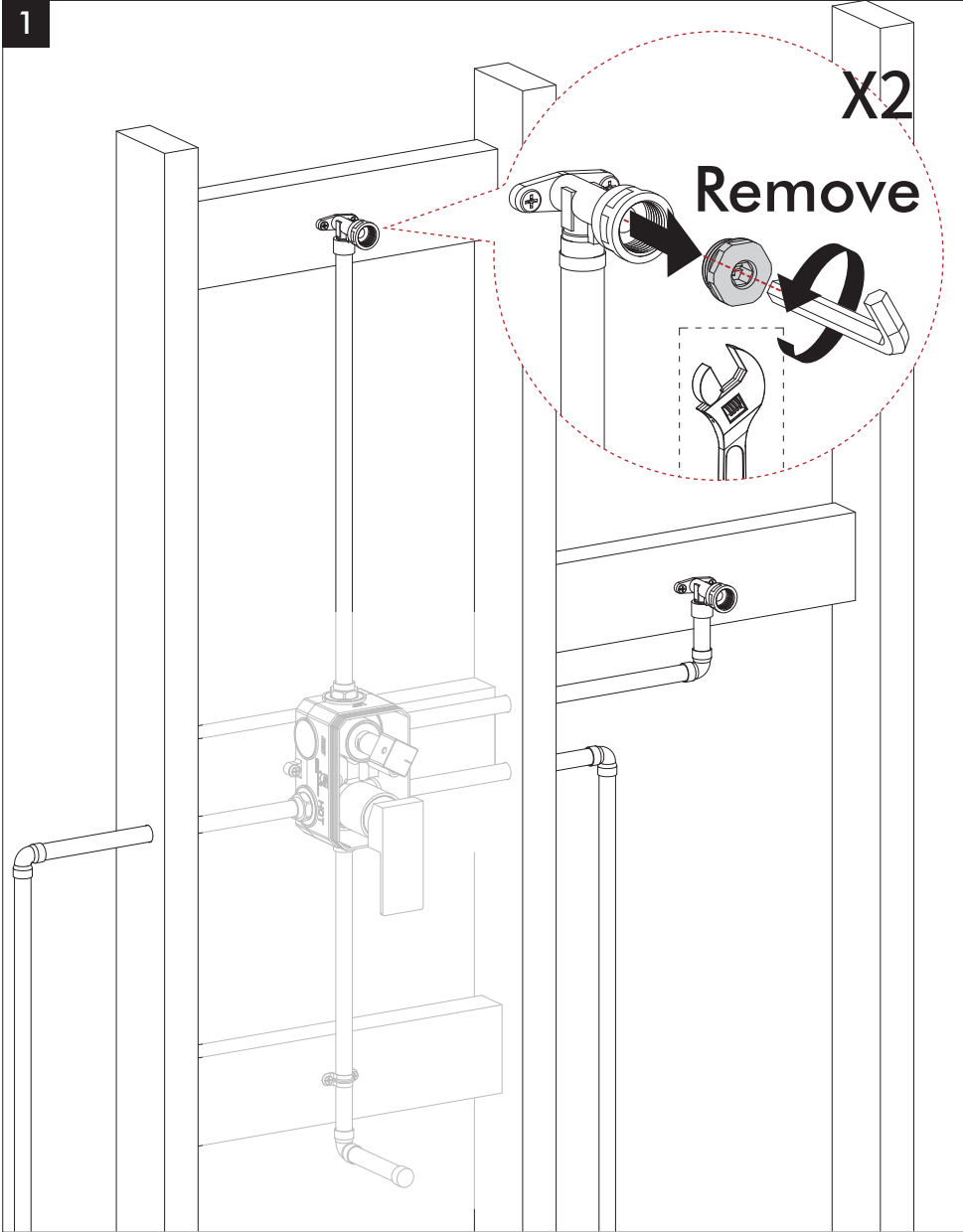
Check for Leaks



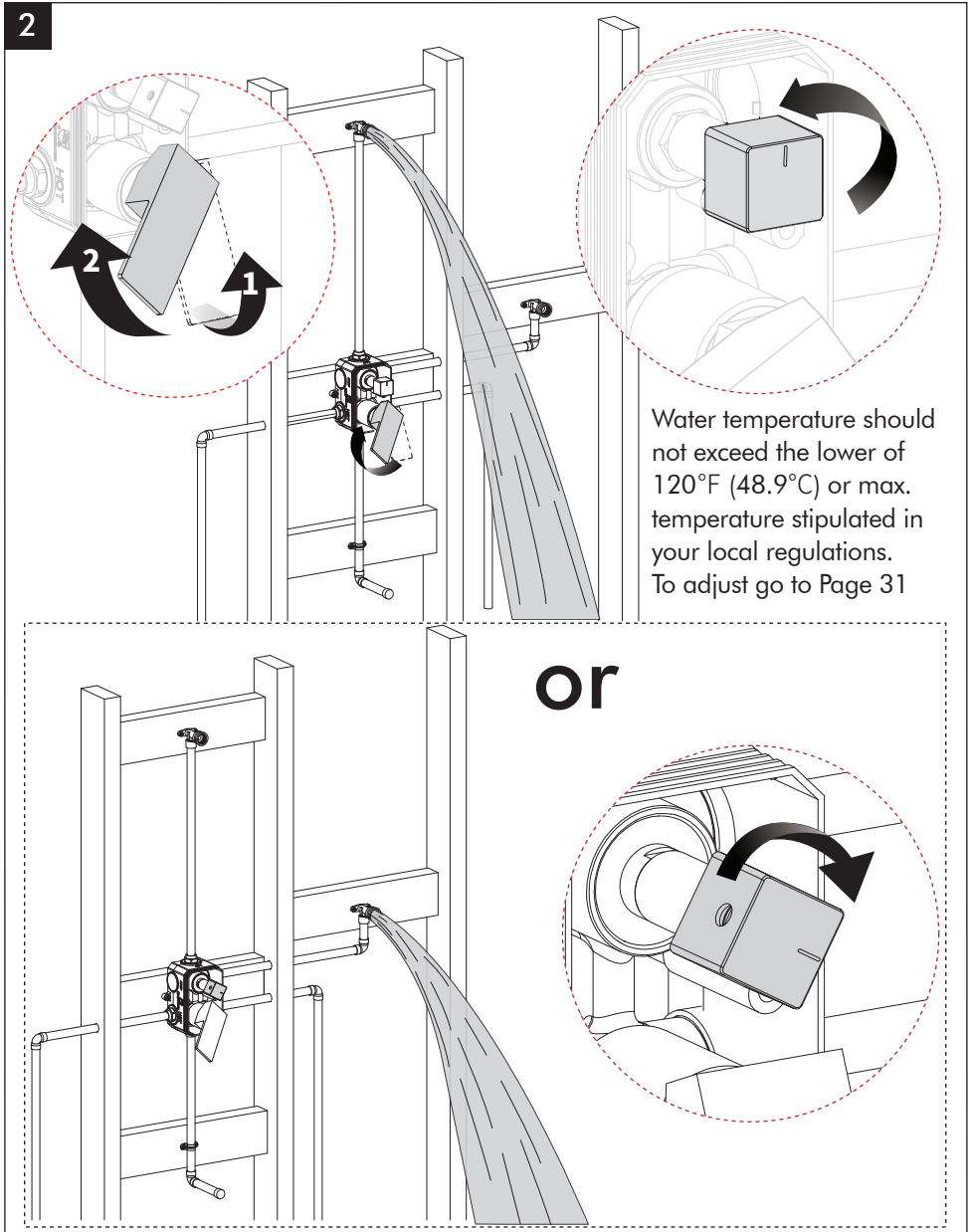
Check for Leaks



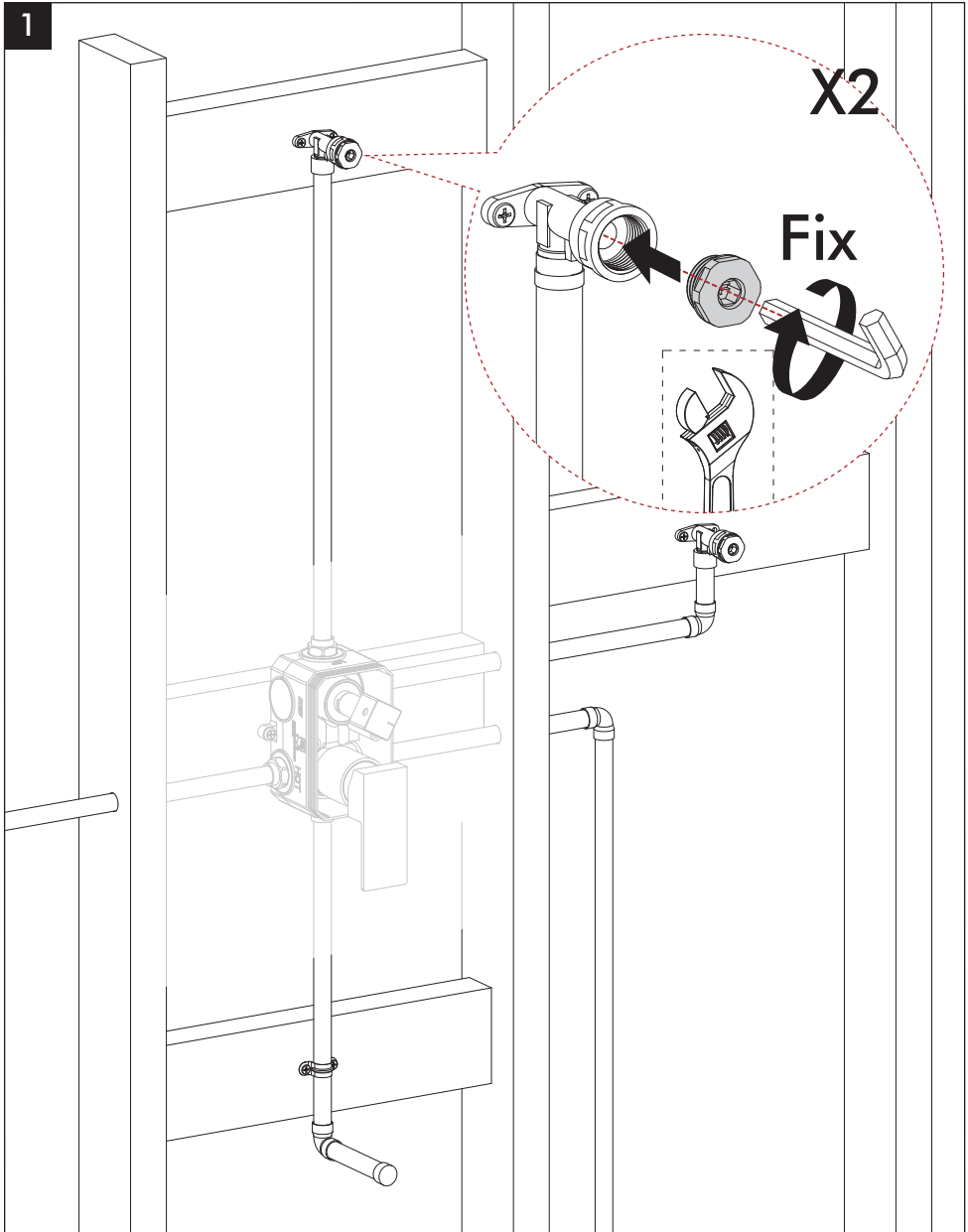
Check for Temperature



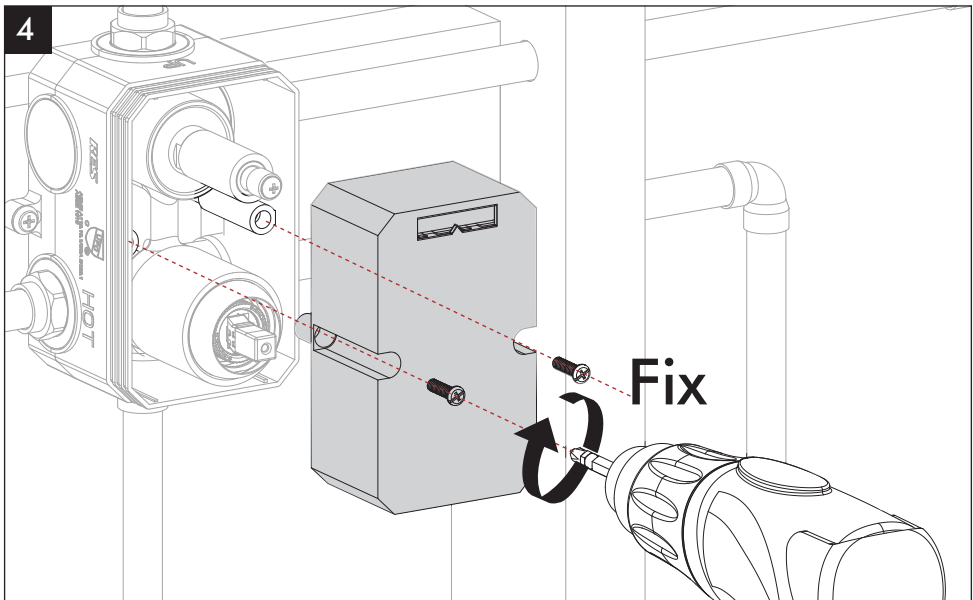
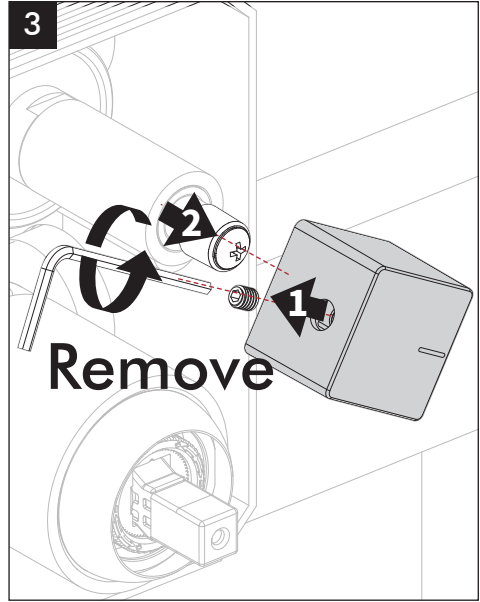
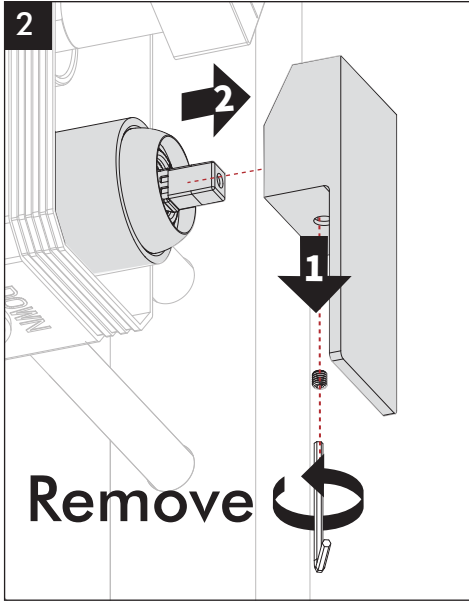
Check for Temperature



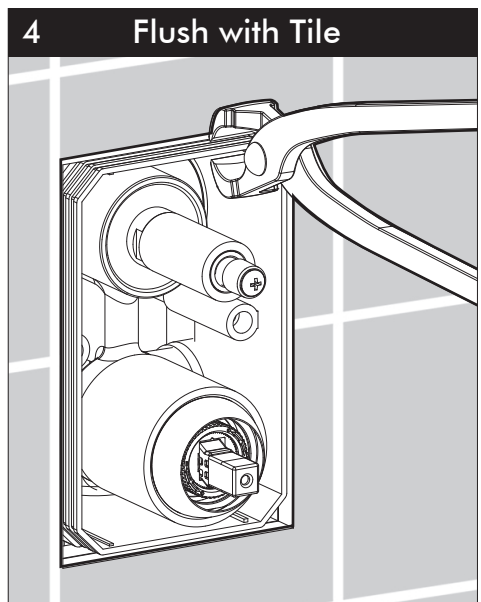
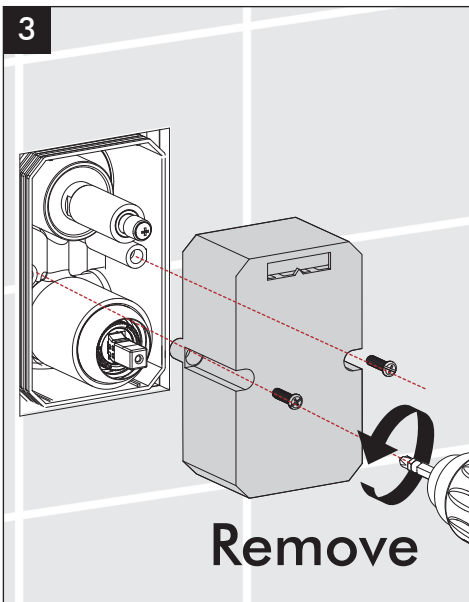
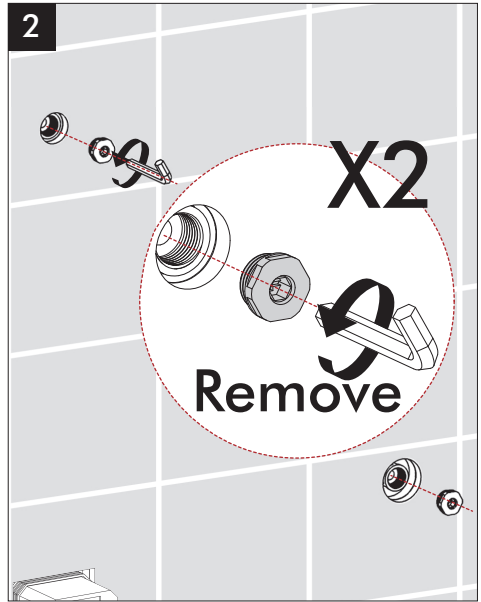
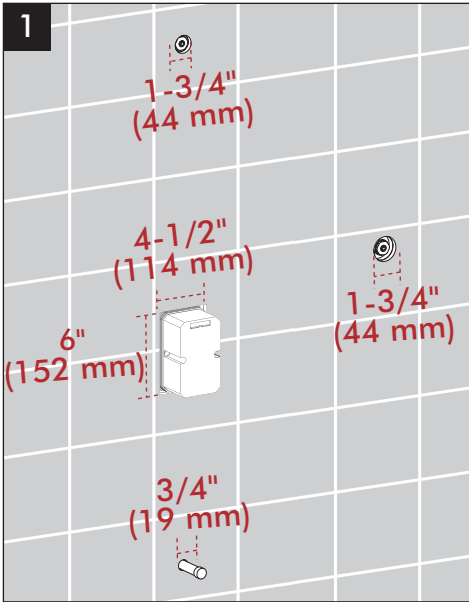
Protective Cover Installation



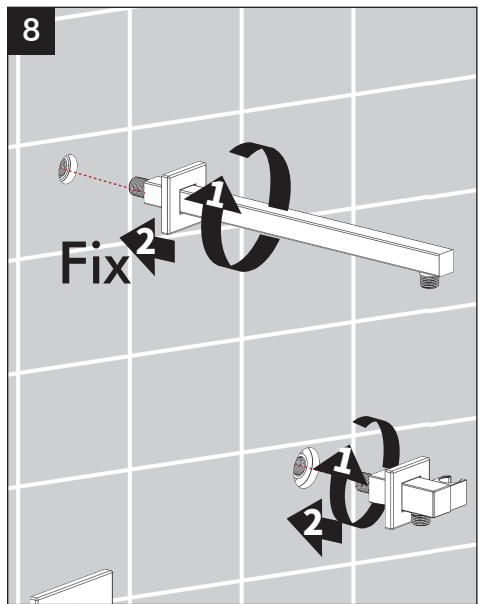
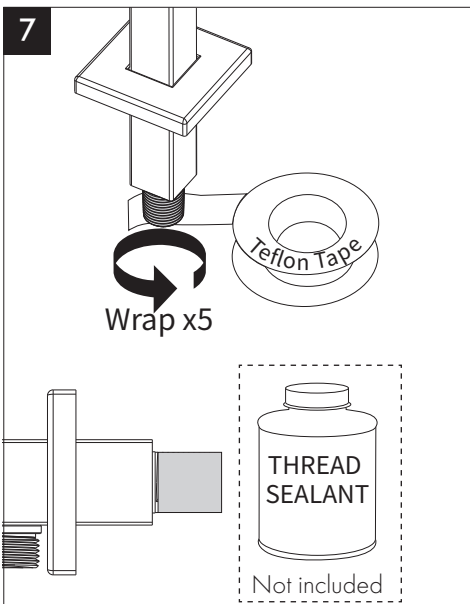
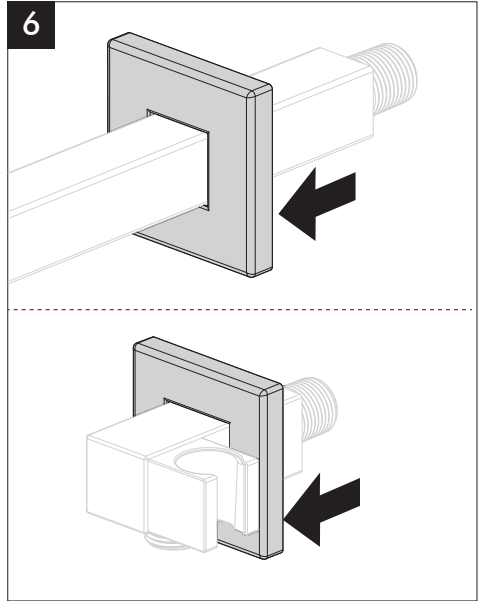
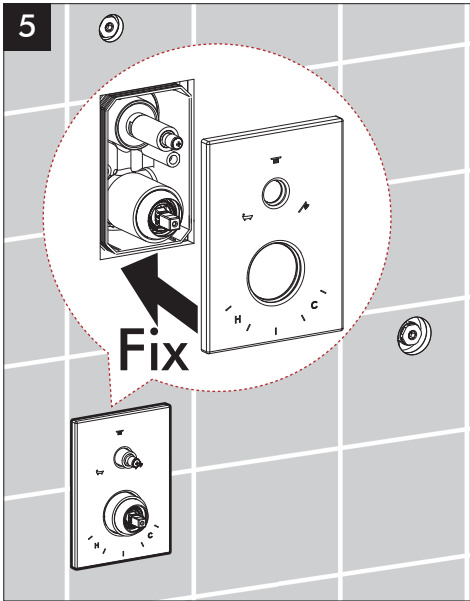
Protective Cover Installation



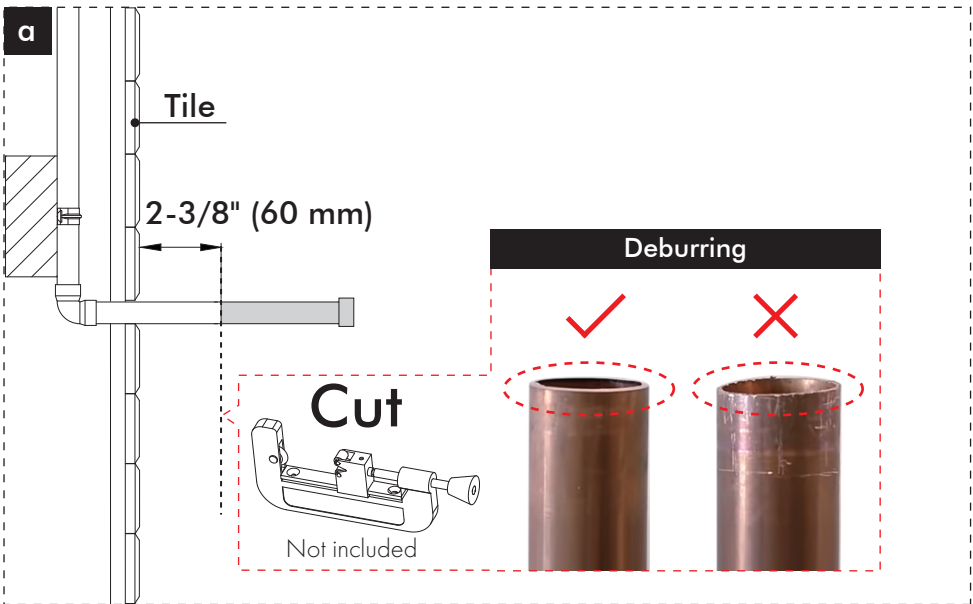
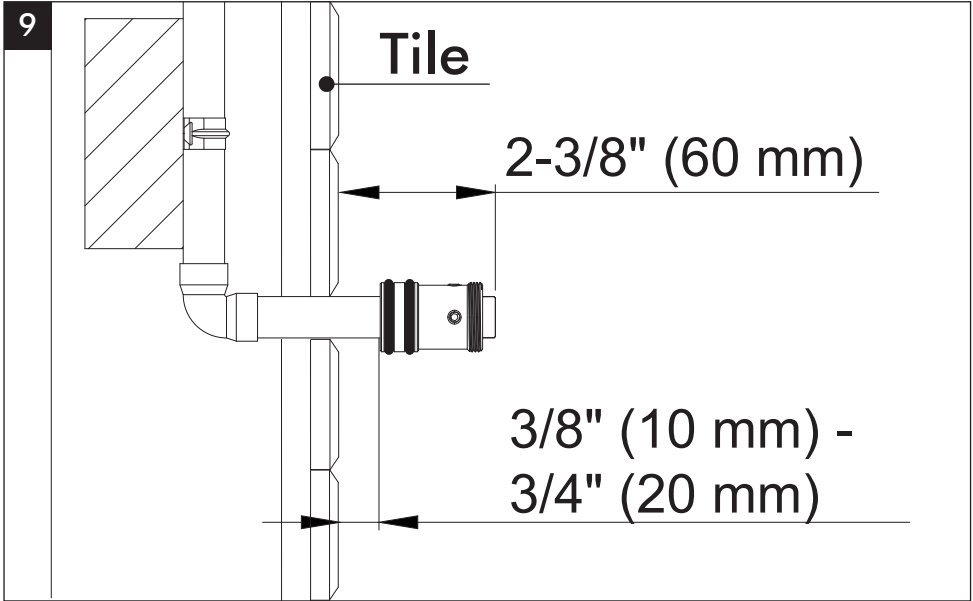
Showerhead & Handshower & Tub Spout Installation



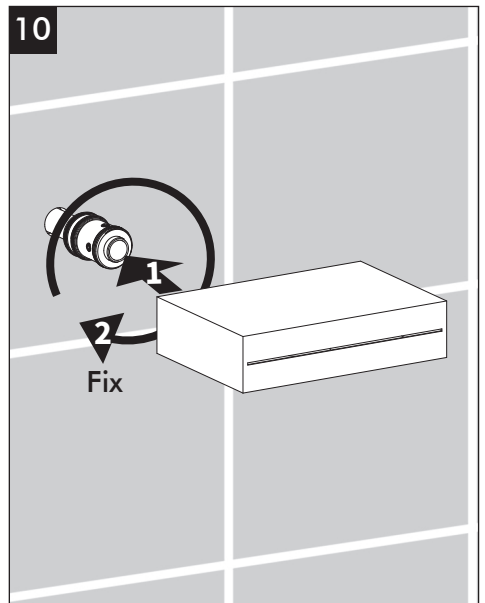
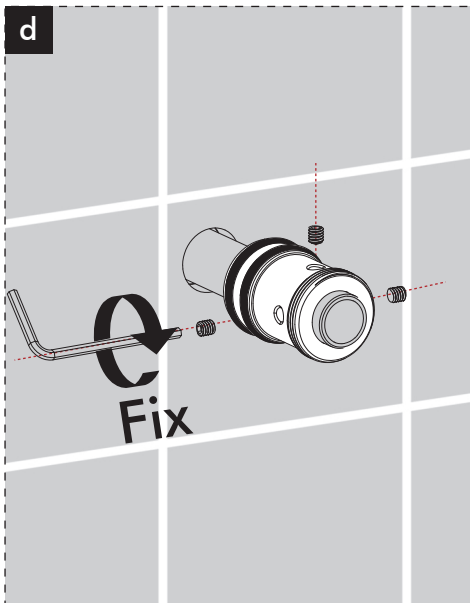
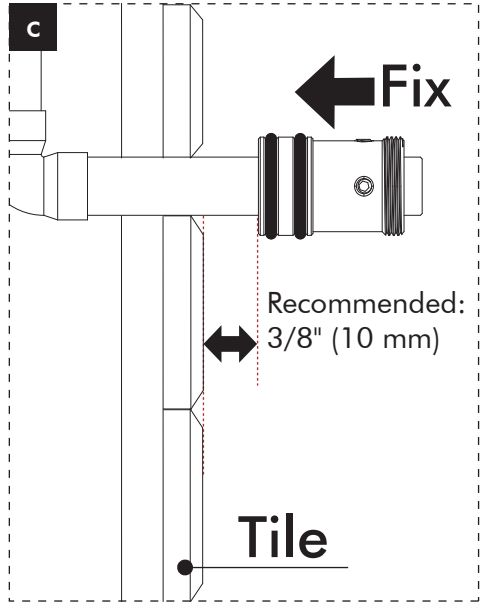
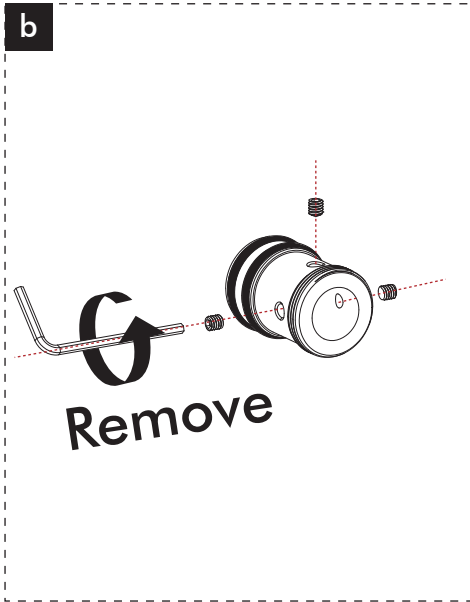
Showerhead & Handshower & Tub Spout Installation



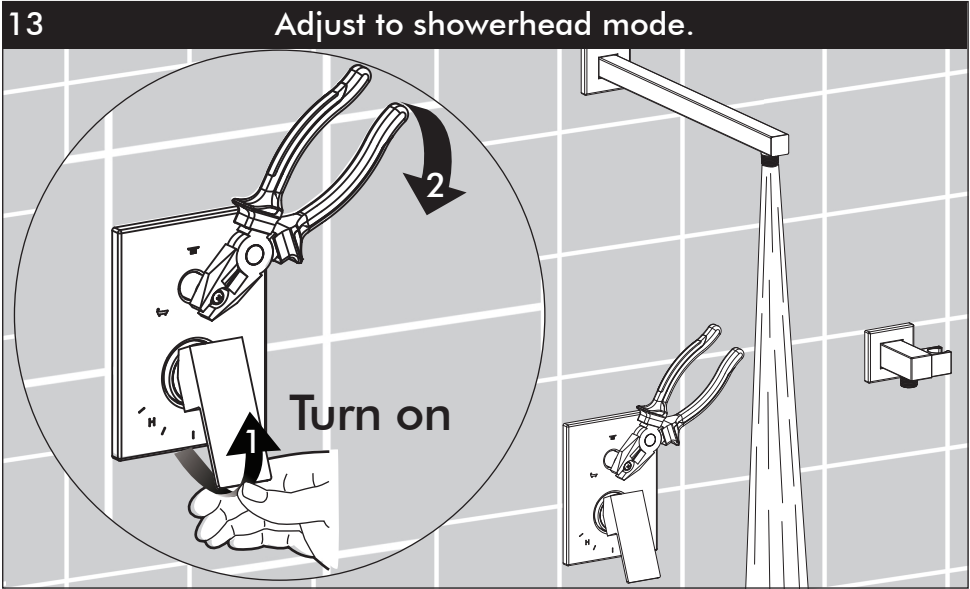
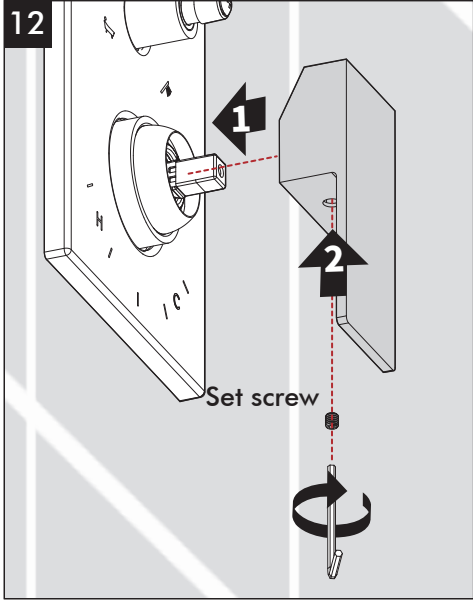
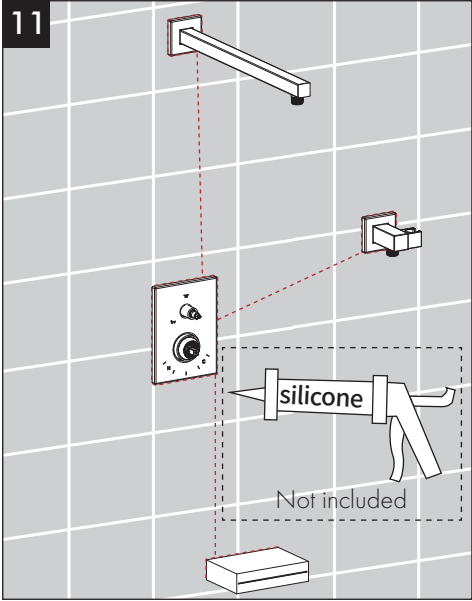
Showerhead & Handshower & Tub Spout Installation



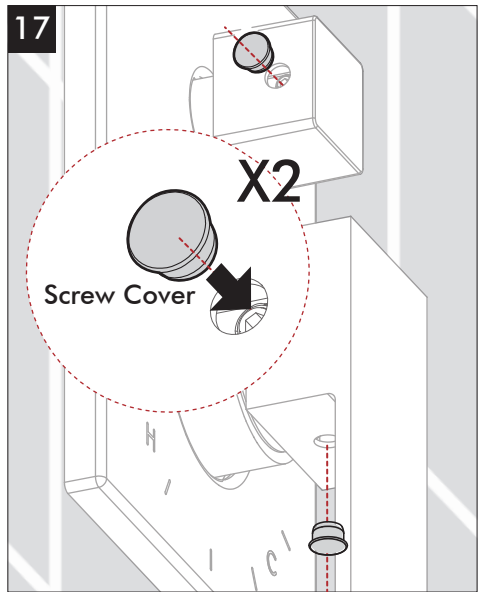
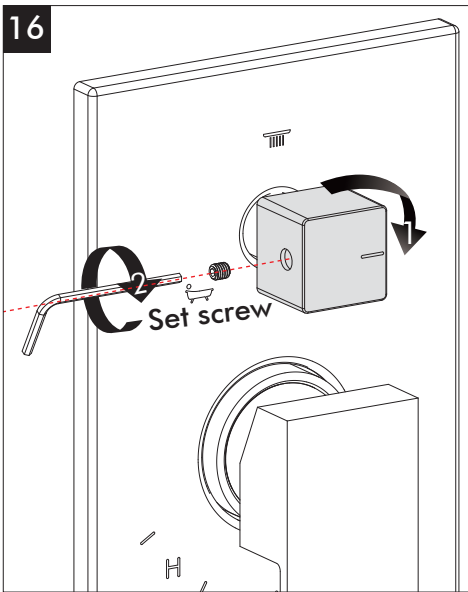
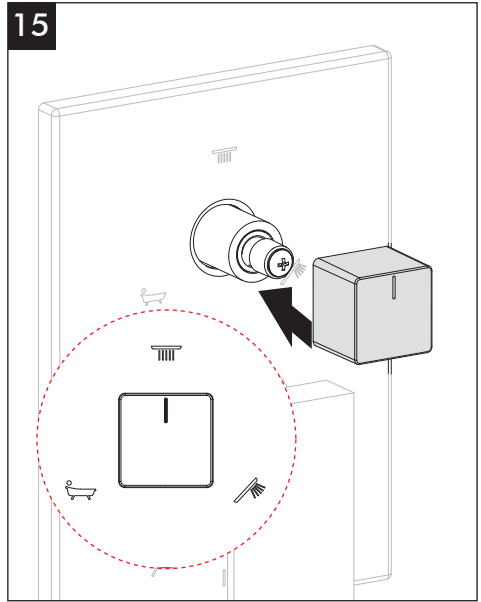
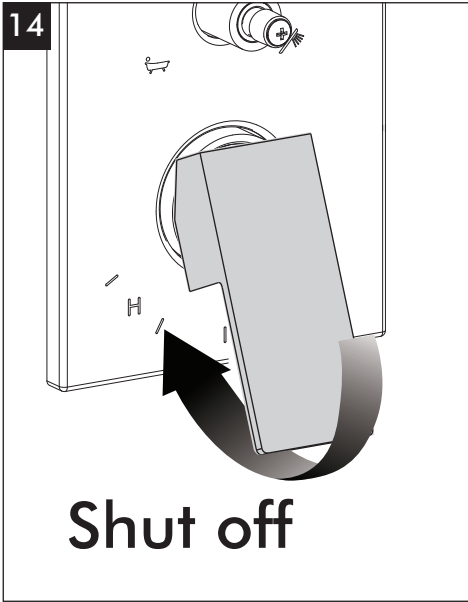
Showerhead & Handshower & Tub Spout Installation



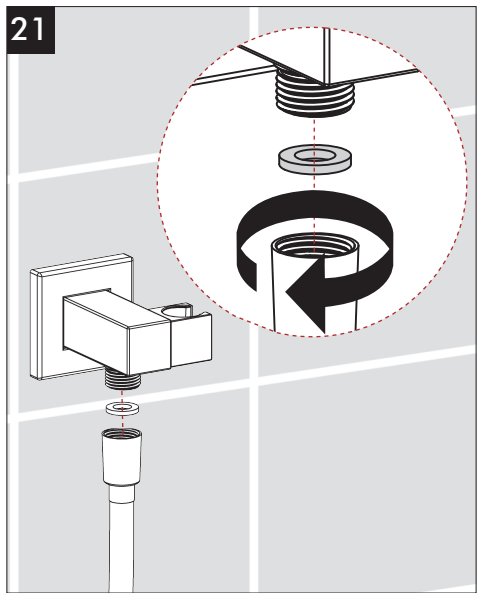
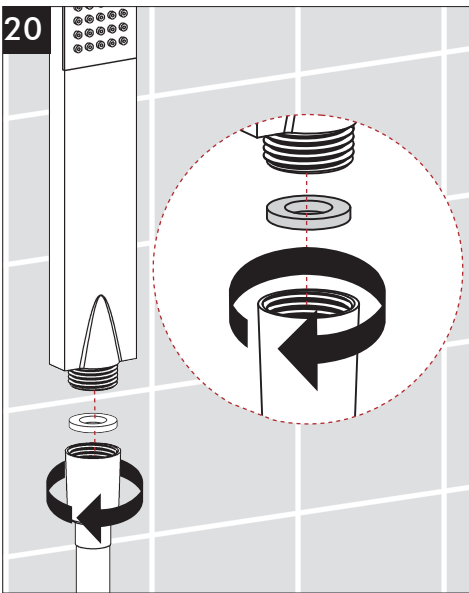
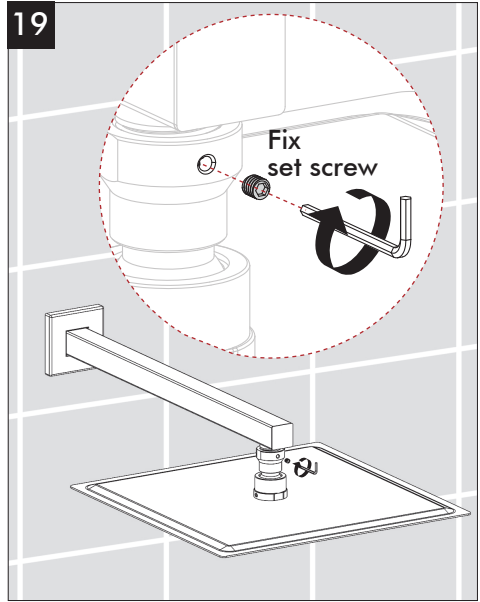
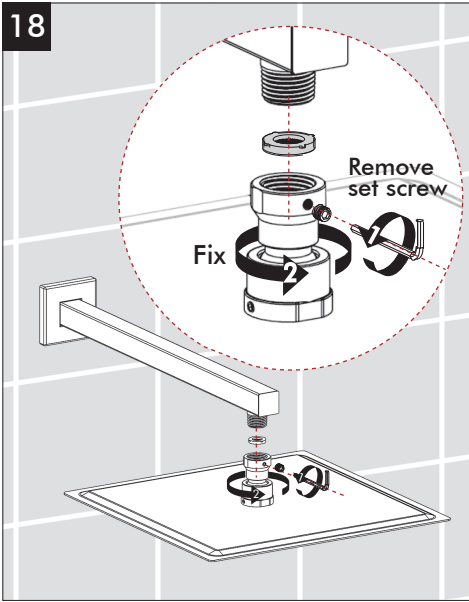
Showerhead & Handshower & Tub Spout Installation



Showerhead & Handshower & Tub Spout Installation





Showerhead & Handshower & Tub Spout Installation



Low Pressure / Slow Flow? Check and clean flow restrictor!

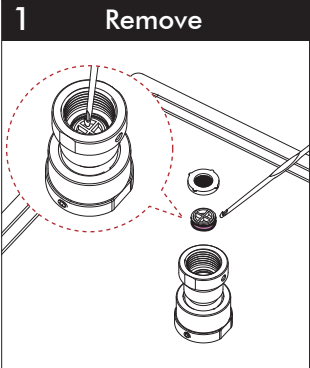
Included in Spare Kit

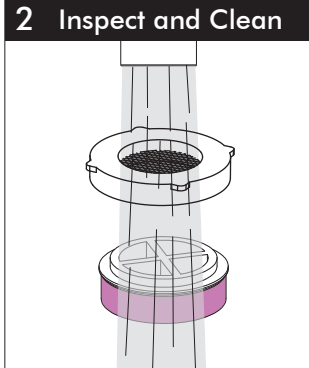
2.5 gpm

Showerhead

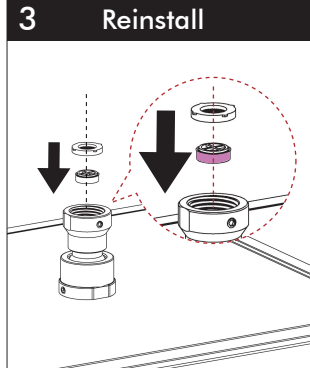
1 Remove



2 Inspect and Clean



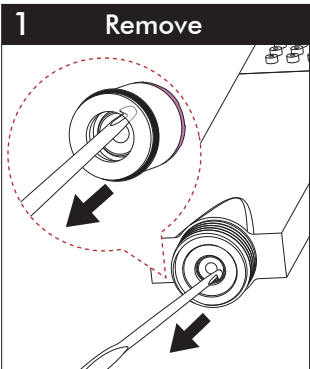
3 Reinstall



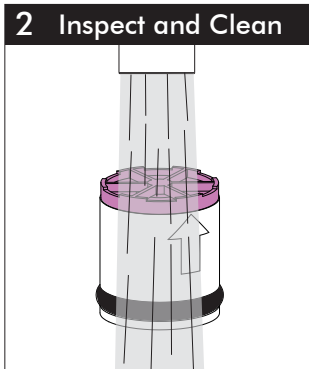
Default restrictor is 1.75 gpm, compliant with California Energy Commission (CEC) regulations. Please check your local plumbing codes before removing it or replacing it with 2.5 gpm flow restrictor.

Handshower

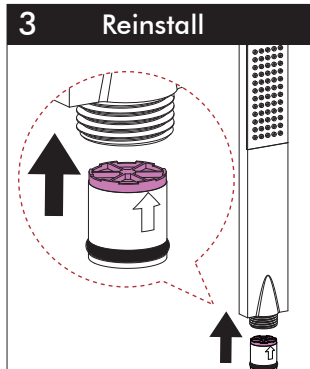
1 Remove



2 Inspect and Clean



3 Reinstall



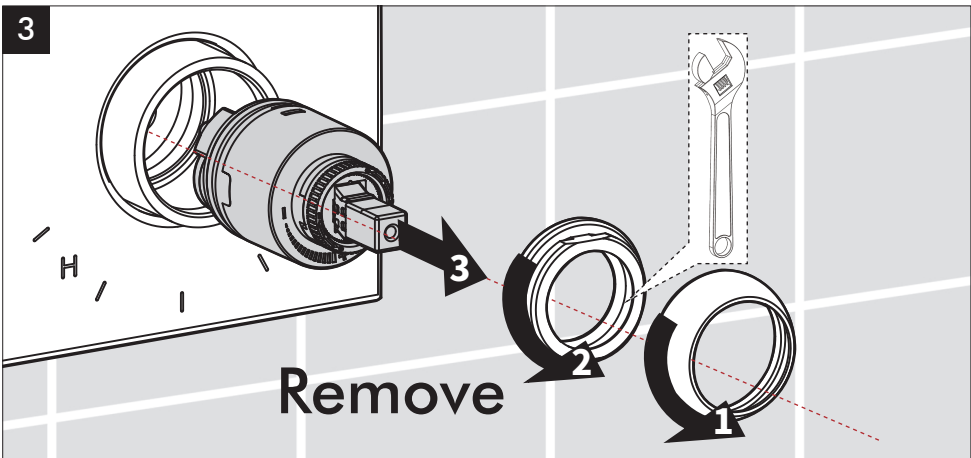
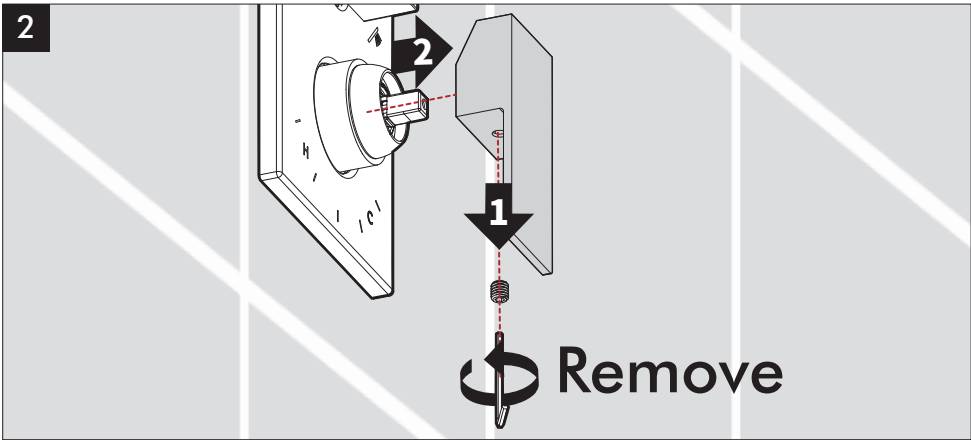
Water not hot enough?



Make sure your hot water temperature $\geq 120^{\circ}\text{F}$ (48.9°C)

Recommend: 120 - 140°F (48.9 - 60°C)

1 Still NOT hot enough?
Turn off both hot and cold water supplies.



Water not hot enough?

4

Hotter Colder

Warning: Temperature change per tooth (notch) could be 1.8 - 7.5°F (1 - 4°C) base on inlet water conditions.
Repeat as necessary.

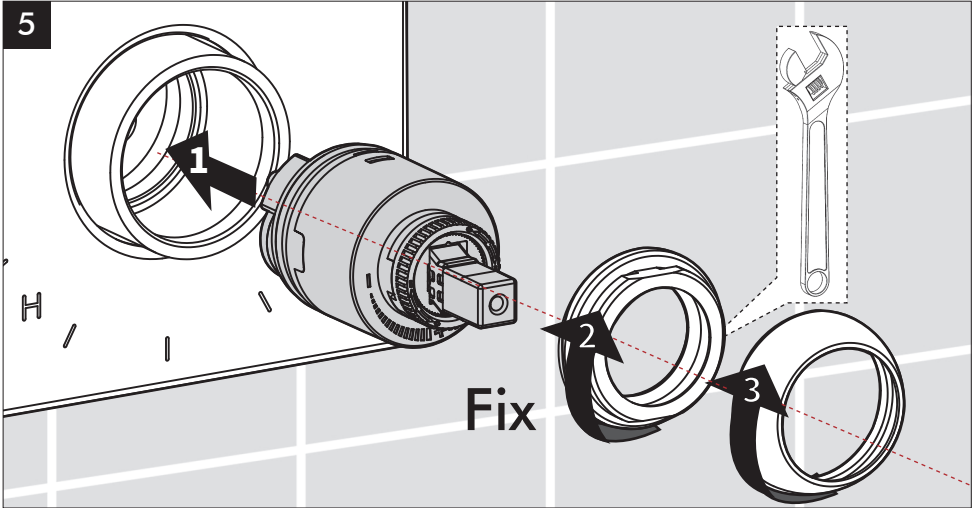
If the temperature limit stop has reached the limit, please contact us.



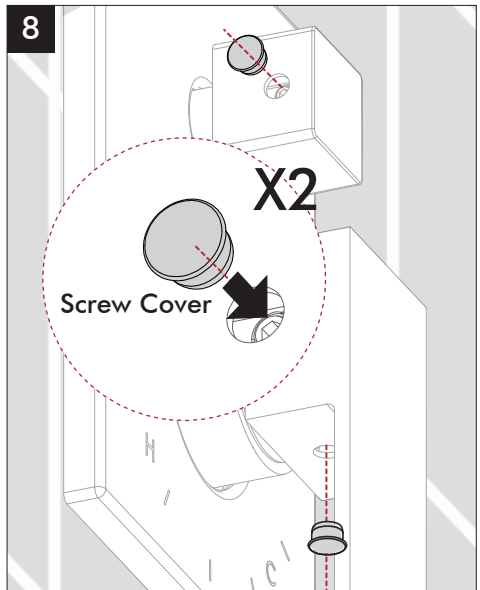
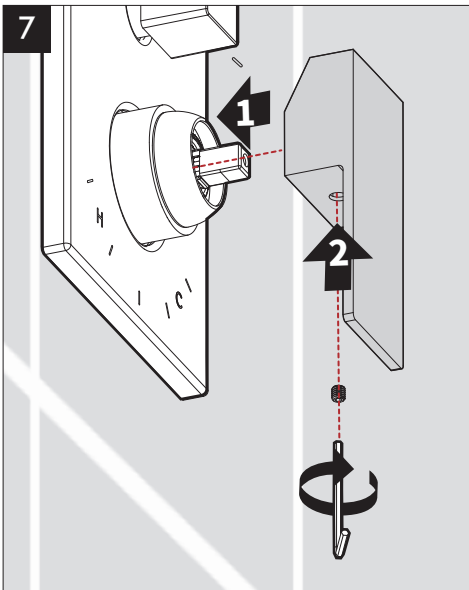
Replace for FREE
cs@keshome.com

chat now

Water not hot enough?



6 Turn on **BOTH** hot and cold water supplies.



Water not hot enough?

Warning

Setting the Adjustable Temperature Limit Stop in The Last Position or beyond The Last Position (counterclockwise) could result in scald injury. It is vital to adjust the Adjustable Temperature Limit Stop to avoid scald injury to the user when the handle of the valve is rotated to the hot side. Please check your local plumbing codes for maximum water mix temperature (normally should not exceed 120°F). If inlet water temperature changes seasonally, you may need to readjust the Adjustable Temperature Limit Stop. Recommended water temperature for bath or shower is between 90 - 110°F. Run the water so that the cold water is as cold as it will get and hot water is as hot as it will get. Place the handle on the cartridge stem and rotate the handle clockwise until the handle stops. Place a thermometer in a plastic tumbler and hold in the water stream. If the water temperature is above 120°F or the maximum temperature requirement of local plumbing codes (whichever is lower), the Rotational Limit Stop must be readjusted clockwise to decrease outlet water temperature.

MAKE SURE COLD WATER FLOWS FROM THE VALVE FIRST. MAKE SURE WATER FLOWING FROM THE VALVE AT THE HOTTEST FLOW POSSIBLE DOES NOT EXCEED 120°F OR THE MAXIMUM ALLOWED BY YOUR LOCAL PLUMBING CODES.

Caution

This system/device has to be set by the installer to ensure safe, maximum temperature. Any variation in the setting may raise the discharge temperature above the limit considered safe and may cause hot water burns.

Warning

This pressure balance valve does not control temperature, only pressure fluctuations. The Limit Stop does not control temperature variations caused by inlet temperature variations. Pressure balance valve will not provide protection from hot water burns when there is a failure of other temperature controlling devices elsewhere in the plumbing system. And if the Adjustable Temperature Limit Stop is not set properly, the hot water temperature is changed after the Adjustable Temperature Limit Stop is set, or if the water inlet temperature changes due to seasonal variations, it also may cause hot water burns.

Water not hot enough?


Notice to the installer

Caution!

As the installer of this valve, it is your duty to INSTALL and ADJUST this valve properly according to the instructions given. This valve does not adjust automatically for inlet temperature changes, further adjustments maybe necessary due to seasonal water temperature change.

YOU MUST inform the owner/user of this requirement by following the instructions. After installation and adjustment, you must affix your name, company name and the date you adjusted the Adjustable Temperature Limit Stop to a label and apply or attach the label to the backside of the closet cabinet door and a warning label to the hot water heater. Leave this instruction sheet for the owner's/user's reference.

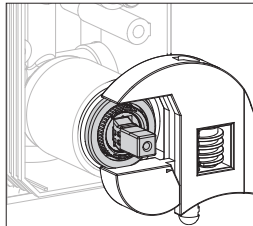
Troubleshooting

Fault	Cause	Remedy
Parts missing/damaged		
Miss return window		
Need spare parts/customized parts		Contact KES
Connection/thread problems		
Scratched surfaces		
Unable to install handle/diverter knob	Rough-in valve too deep	 Chat now! cs@keshome.com
Supply elbow/shower arm thread too short	Ear drop too deep	
Decorative flange too small	Tile opening too large	

Leakage

Cartridge bonnet nut loose

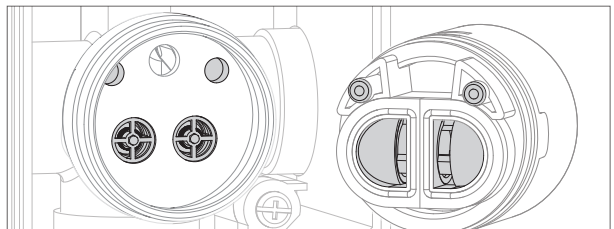
Tighten bonnet nut
Scan for video guide



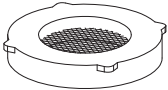
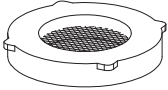
From faucet cartridge

Incorrect cartridge installation


Align cartridge bottom with main body, then reinstall it




Troubleshooting

Leakage		
From faucet cartridge	Cartridge damaged	Contact KES
From connectors	Wrong size or damaged plumbing fittings	Double check connectors or contact KES
	Insufficient Teflon tape/sealant	Wrap Teflon tape around connector 5 times and apply sealant
From shower head	Shower head damaged/cracked	
	Ball joint adapter loose	Contact KES with photo/video for replacement
	White rubber ring worn	
	Miss filter gasket	Use spare filter gasket
		
From hose connector	Miss filter gasket	Use spare filter gasket
		
Dripping after shut-off	Cartridge dirty	Remove and clean the cartridge
	Cartridge damaged	Contact KES



Troubleshooting

No or Low Flow		
	Low inlet water pressure	Check water pressure (If a pump has been installed, check to see if it is working)
	Nozzles clogged	Wipe clogged nozzles several times with fingers while the water is running
	Filter gasket in showerhead/ handshower connector clogged	Remove and clean the filter gasket, then reinstall it
No or low water flow	Restrictors clogged	Check and clean flow restrictor See page 31 Scan for video guide
		
	Cartridge clogged	Remove and clean the cartridge
	Either hot or cold water supply is low, causing low mixed flow since pressure balance valve always keeps both supply sides at equal pressure	Make sure both hot and cold supplies are at full volume and especially, the heater provides enough flow

Troubleshooting

Others		
Water not hot enough	Heater temperature set too low	Turn up the heater temperature
	Temperature limited stop restriction	Adjust the temperature limit stop See page 31 Scan for video guide 
Pipe noise	Plumbing not properly secured	Contact a professional to check
	Cartridge/check valves damaged	Contact KES
Switch Function Fail	Diverter knob loose	Use included tool to tighten the hex screw
	Diverter cartridge damaged	Contact KES
<p>Note: By design, both showers will spray at the same time when the knob is switched between two functions</p>		
Holder adjustment	Too tight to swing	<ol style="list-style-type: none"> 1. Loosen the hex screw on the side 2. Loosen the screw inside the holder until it can move 3. Tighten hex screw on the side again
	Too loose to secure	Tighten the screw inside the holder first and then tighten hex screw on the side

Troubleshooting

Others		
Nozzles fall off/ Deformed		Use spare nozzles Scan for video guide 
Limescale build-up	Hard water	Soak a towel with 5-6% vinegar, then cover the affected area Wait for 10 minutes, then clean it with water
Finish peeled off/faded	Wear and tear Limescale build-up Improper maintenance	DO NOT use corrosive cleaners Follow proper cleaning instructions Scan for video guide 
Parts rusted		
Product certification /compliance	Complies with *ASME A112.18.1/CSA B125.1 standards of cUPC certified by IAPMO *California Energy Commission (CEC) regulations	Certificates Hyperlink: cUPC: https://plm.iapmo.org/pld#/certificate/10664/2509 CEC: https://cacertappliances.energy.ca.gov/Pages/ApplianceSearch.aspx

If your problem still exists or is not covered above, contact KES



cs@keshome.com
chat now!

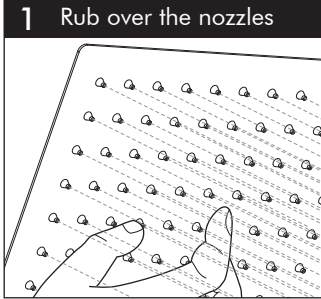
Care Instructions

To keep the product looking new, please follow these simple care instructions:

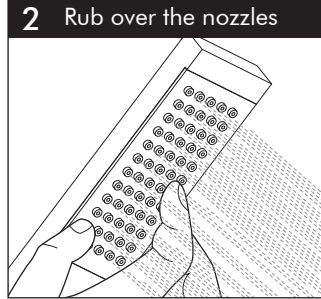
DO:

- Daily Maintenance

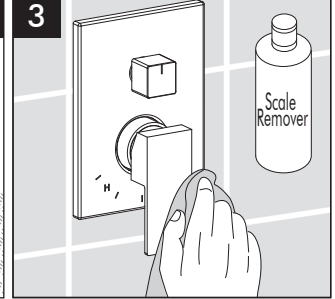
Showerhead



Handshower

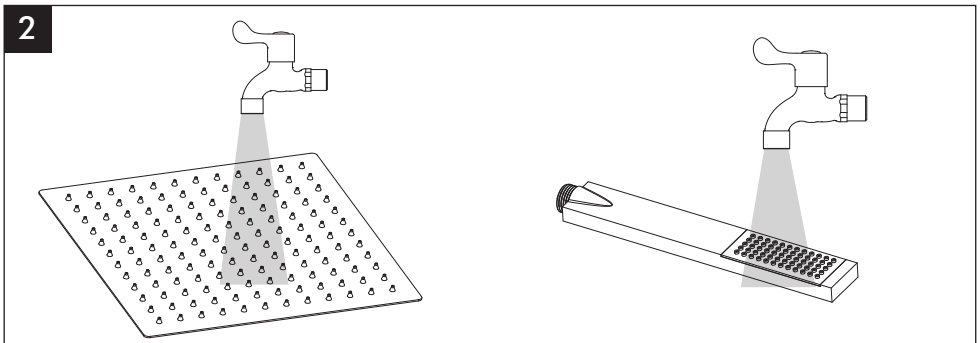
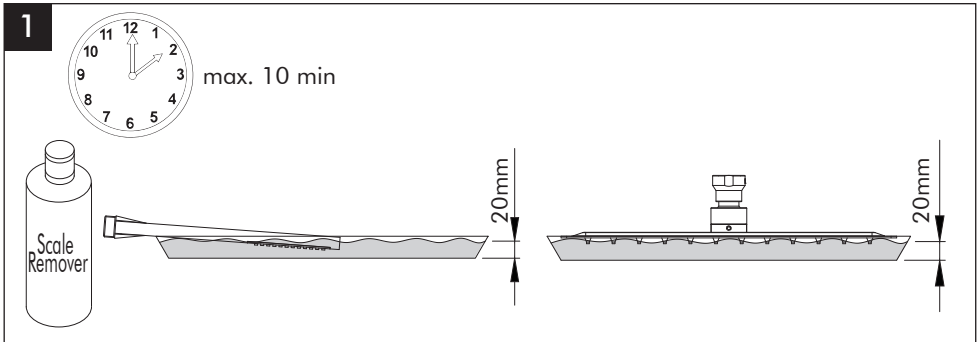


Finish

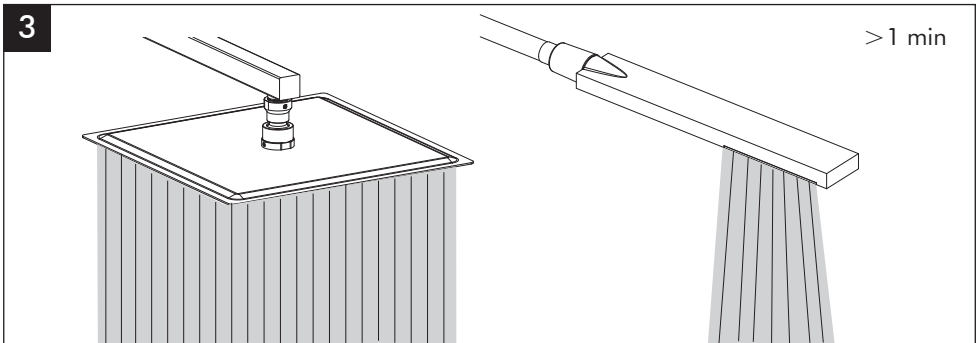


- Descaling Treatment

To effectively remove limescale buildup caused by hard water, follow these steps:



Care Instructions



For best results, perform this descaling treatment every one to three months. Regular maintenance will help keep the product looking its best for years.

Note:

Test scale remover in an inconspicuous area of the product finish before using it widely to check for compatibility.

DO NOT:

- Do not use cleaning products with acidic, caustic, bleach, or mildly alkaline properties and those labeled as rust removers.
- Do not use cleaning materials or appliances with an abrasive effect, such as unsuitable cleaning powders, sponge pads or microfiber cloths.

Failure to follow these care instructions may damage the product finish.

Lifetime Limited Warranty

Faucets

KES warrants its faucets purchased from authorized sellers to be leak and drip free as long as the original consumer owns their home in which the product was first installed (the "Warranty Period" for homeowners). For all other purchasers (including purchasers for industrial, commercial and business use) are warranted for a period of 3 years from the original date of purchase (the "Warranty Period" for non-homeowners).

Other Products

Products other than faucets are backed by a 1-Year Limited Manufacturer's Warranty (the "Warranty Period" for non-faucet products).

What We Will Do

If a faucet should ever develop a leak or drip during the Warranty Period, KES will FREE OF CHARGE provide the parts necessary to put the faucet back in good working condition.

For non-faucet products, KES will replace FREE OF CHARGE any part that proves defective in material and manufacturing workmanship during the Warranty Period.

If repair or replacement is not practical, KES may elect to refund the purchase price in exchange for the return of the product.

What Is Not Covered

KES shall not be liable for any damage to the product resulting from reasonable wear and tear, installation and maintenance errors, outdoor use, freezing water, abuse, misuse, and use of cleaners containing abrasive cleansers, ammonia, bleach, acids, waxes, alcohol or other organic solvents.

KES is not responsible for removal, installation, labor charges, or other incidental or consequential costs. In no event shall the liability of KES exceed the purchase price of the product.

KES AND/OR SELLER ARE PROVIDING THESE WARRANTIES IN LIEU OF ALL OTHER WARRANTIES, EXPRESSED OR IMPLIED, INCLUDING BUT NOT LIMITED TO THE IMPLIED WARRANTIES OF MERCHANTABILITY AND FITNESS FOR A PARTICULAR PURPOSE. KES AND/OR SELLER DISCLAIM ALL LIABILITY FOR SPECIAL, INCIDENTAL OR CONSEQUENTIAL DAMAGES.

Some jurisdictions do not allow the exclusion or limitation of incidental or consequential damages, so these limitations and exclusions may not apply to you. This warranty gives you specific legal rights and you may also have other rights which vary from jurisdiction to jurisdiction.

This warranty applies only to KES products sold in North America and Europe.

Contact KES

Email: cs@keshome.com

Online Contact:



Please provide:

- dated proof of purchase
- description of the defect/fault
- picture or video showing the issue(s) (optional)